

# SC0319N

(Previously SCN1624)

## Pull Type Open Frame Solenoid

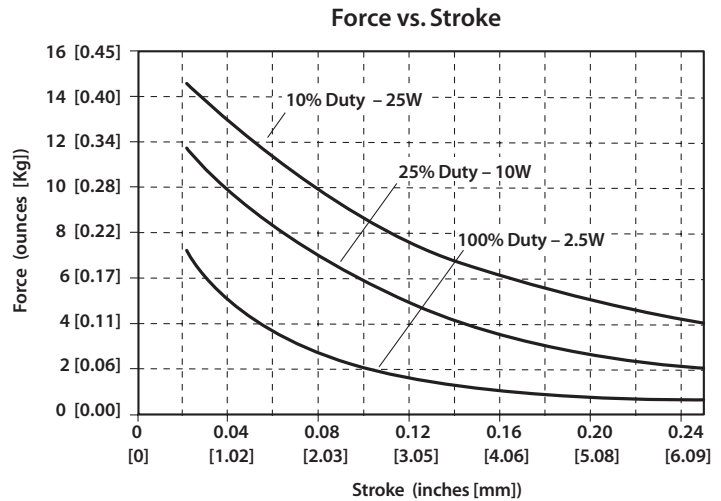
0.58" W × 0.65" H × 0.76" L  
(15mm × 17mm × 19mm)



### Specifications:

- Operation: ..... Pull
- Insulation: ..... Class "A" (105°C) standard\*
- Coil Termination: ..... 26AWG flying leads per drawing\*
- Plunger linkage: ..... Yoke slot\*
- Plunger pole face: ..... 60° Conical\*
- Solenoid weight: ..... 0.49oz [14g]
- Plunger weight: ..... 0.04oz [1g]
- Dielectric Strength: ..... 500VAC for one second
- Operating temperature range: ..... -20°C to 40°C

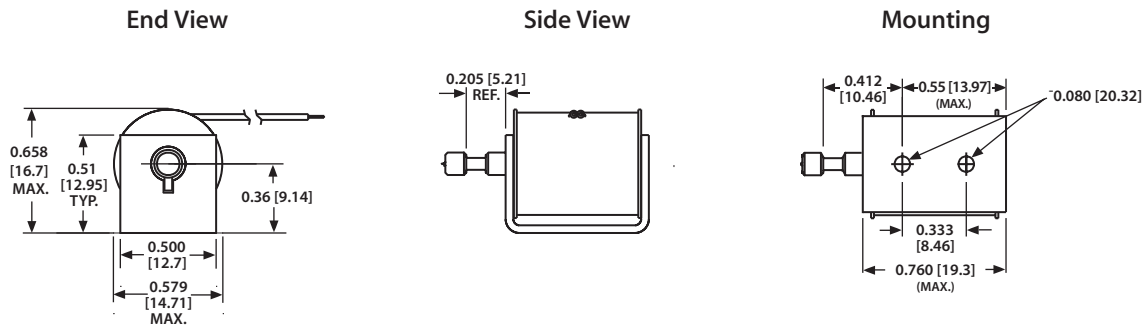
\* Other options available upon request



### Coil Data:

Voltage (VDC)	100% Duty — 2.5W		25% Duty - 10W		10% Duty — 25W	
	Resistance (Ω)	Part Number	Resistance (Ω)	Part Number	Resistance (Ω)	Part Number
3	3.6	SC0319N0300	0.90	SC0319N0325	0.36	SC0319N0310
6	14.4	SC0319N0600	3.6	SC0319N0625	1.4	SC0319N0610
12	57.6	SC0319N1200	14.4	SC0319N1225	5.8	SC0319N1210
24	230	SC0319N2400	57.6	SC0319N2425	23	SC0319N2410

Typical force @20°C and nominal rated DC voltage. Resistance values ±10% @20°C. All data subject to change. Other voltages and duty cycles available upon request.



Notes: Solenoid shown in energized position. Dimensions listed are for reference only. Dimensions shown in inches and [mm].