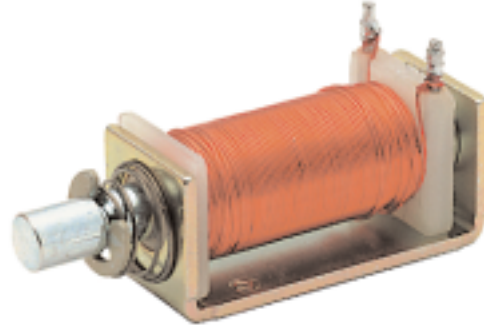


# SC0424L

(Previously SCL1330)

## Pull Type Open Frame Magnetic Latching Solenoid

0.42" W × 0.48" H × 0.95" L  
(11mm × 12mm × 24mm)

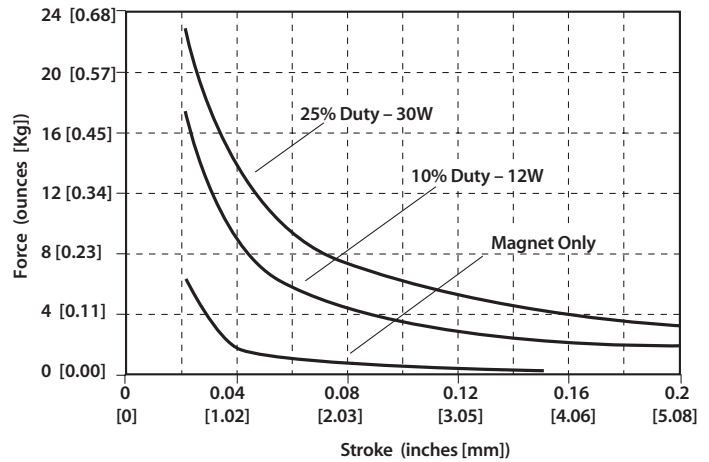


### Specifications:

- Operation: ..... Pull
- Insulation: ..... Class "A" (105°C) standard\*
- Coil Termination: ..... Pin terminals per drawing\*
- Plunger linkage: ..... None\*
- Plunger pole face: ..... Flat\*
- Solenoid weight: ..... 0.59oz [16.7g]
- Plunger weight: ..... 0.09oz [2.5g]
- Spring return: ..... 11.9oz/inch [13.2g/mm]
- Dielectric Strength: ..... 500VAC for one second
- Operating temperature range: ..... -20°C to 40°C

\* Other options available upon request

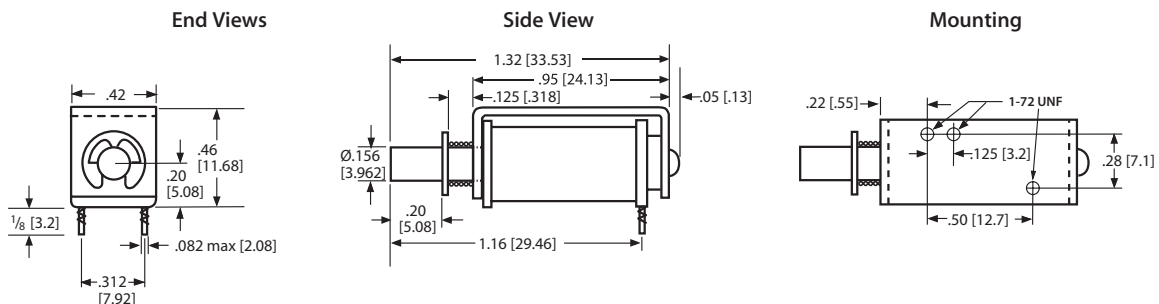
**Force vs. Stroke**



### Coil Data:

Voltage (VDC)	25% Duty — 12W		10% Duty — 30W	
	Resistance (Ω)	Part Number	Resistance (Ω)	Part Number
3	0.75	SC0424L0325	0.3	SC0424L0310
6	3	SC0424L0625	1.2	SC0424L0610
12	12	SC0424L1225	4.8	SC0424L1210
24	48	SC0424L2425	19.2	SC0424L2410

Typical force @20°C and nominal rated DC voltage. Resistance values ±10% @20°C. All data subject to change. Other voltages and duty cycles available upon request.



Notes: Solenoid shown in energized position. Dimensions listed are for reference only. Dimensions shown in inches and [mm].