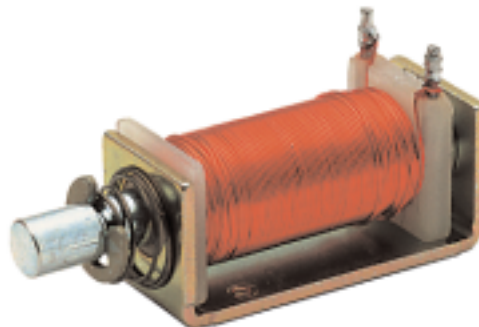


# SC0424N

(Previously SCN1330)

## Pull Type Open Frame Solenoid

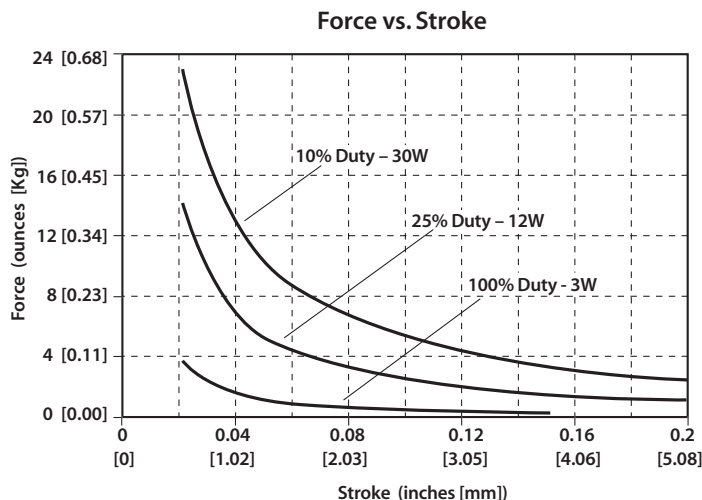
0.42" W × 0.46" H × 0.95" L  
(11mm × 12mm × 24mm)



### Specifications:

- Operation: ..... Pull
- Insulation: ..... Class "A" (105°C) standard\*
- Coil Termination: ..... Pin terminals per drawing\*
- Plunger linkage: ..... None\*
- Plunger pole face: ..... Flat\*
- Solenoid weight: ..... 0.44oz [12.5g]
- Plunger weight: ..... 0.09oz [2.5g]
- Spring return: ..... 1.44oz/inch [1.6g/mm]
- Dielectric Strength: ..... 500VAC for one second
- Operating temperature range: ..... -20°C to 40°C

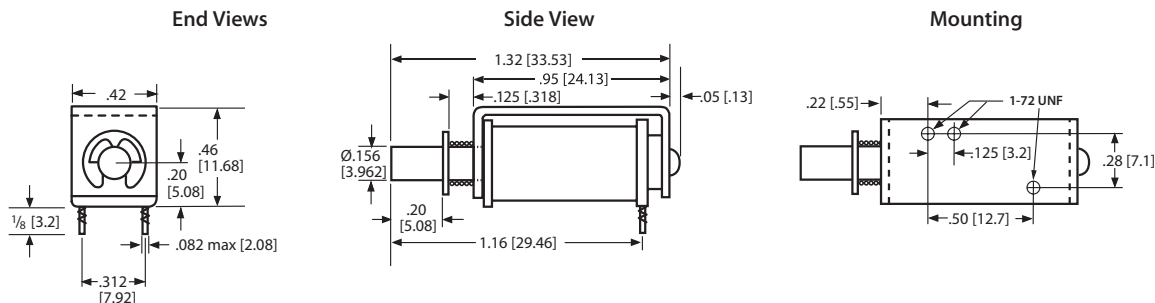
\* Other options available upon request



### Coil Data:

100% Duty — 3W			25% Duty - 12W		10% Duty — 30W	
Voltage (VDC)	Resistance (Ω)	Part Number	Resistance (Ω)	Part Number	Resistance (Ω)	Part Number
3	3	SC0424N0300	.75	SC0424N0325	0.3	SC0424N0310
6	12	SC0424N0600	3	SC0424N0625	1.2	SC0424N0610
12	48	SC0424N1200	12	SC0424N1225	4.8	SC0424N1210
24	192	SC0424N2400	48	SC0424N2425	19.2	SC0424N2410

Typical force @20°C and nominal rated DC voltage. Resistance values ±10% @20°C. All data subject to change. Other voltages and duty cycles available upon request.



Notes: Solenoid shown in energized position. Dimensions listed are for reference only. Dimensions shown in inches and [mm].