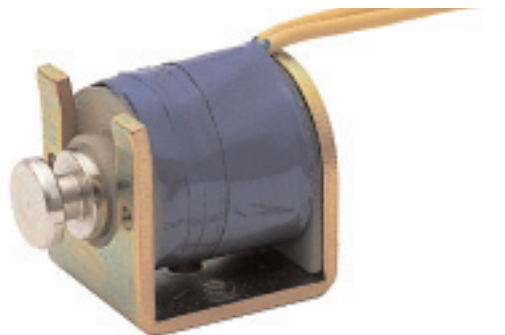


SC0819N

Pull Type Open Frame Solenoid

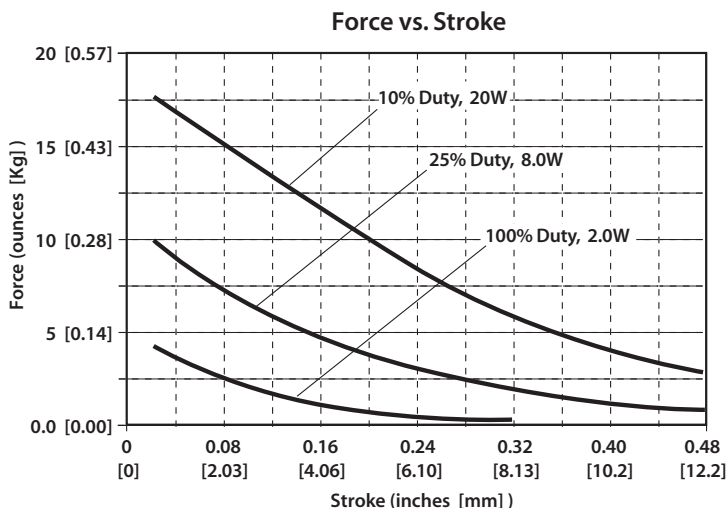
0.69" W × 0.76" H × 0.76" L
(17.5mm × 19.4mm × 19.4mm)



Specifications:

- Operation: Pull
- Insulation: Class "A" (105°C) standard*
- Coil Termination: 26AWG flying leads per drawing*
- Plunger linkage: Yoke*
- Plunger pole face: Flat*
- Solenoid weight: 1.02oz [29g]
- Plunger weight: 0.23oz [6.5g]
- Dielectric Strength: 1000VAC for one minute
- Operating temperature range: -20°C to 40°C

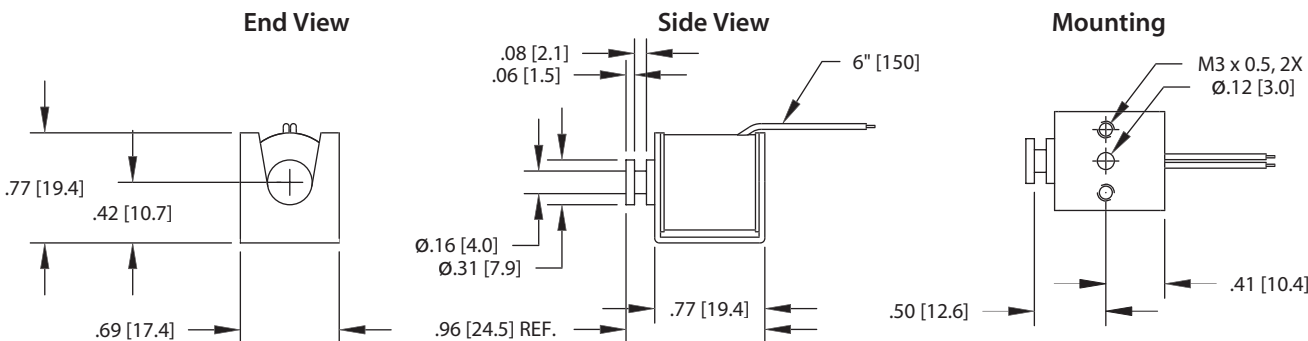
* Other options available upon request



Coil Data:

Voltage (VDC)	100% Duty — 2W		25% Duty — 8W		10% Duty — 20W	
	Resistance (Ω)	Part Number	Resistance (Ω)	Part Number	Resistance (Ω)	Part Number
3	4.5	SC0819N0300	1.1	SC0819N0325	0.45	SC0819N0310
6	18.0	SC0819N0600	4.5	SC0819N0625	1.8	SC0819N0610
12	72.0	SC0819N1200	18.0	SC0819N1225	7.2	SC0819N1210
24	288	SC0819N2400	72.0	SC0819N2425	28.8	SC0819N2410

Typical force @20°C and nominal rated DC voltage. Resistance values ±10% @20°C. All data subject to change. Other voltages and duty cycles available upon request.



Notes: Solenoid shown in energized position. Dimensions listed are for reference only. Dimensions shown in inches and [mm].