

# SD0425L

(Previously SDL1330)

## Pull Type Open Frame Magnetic Latching Solenoid

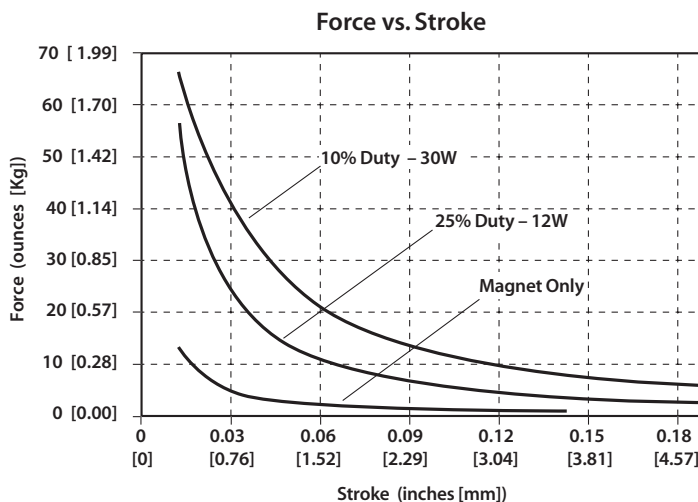
0.42" W × 0.56" H × 0.98" L  
(11mm × 14mm × 25mm)



### Specifications:

**Operation:** ..... Pull  
**Insulation:** ..... Class "A" (105°C) standard\*  
**Coil Termination:** ..... 24AWG flying leads per drawing\*  
**Plunger linkage:** ..... Slot and cross drilled\*  
**Plunger pole face:** ..... Flat\*  
**Solenoid weight:** ..... 0.59oz [16.7g]  
**Plunger weight:** ..... 0.09oz [2.5g]  
**Spring return:** ..... 15.8oz/inch [17.7g/mm]  
**Dielectric Strength:** ..... 500VAC for one second  
**Operating temperature range:** ..... -20°C to 40°C

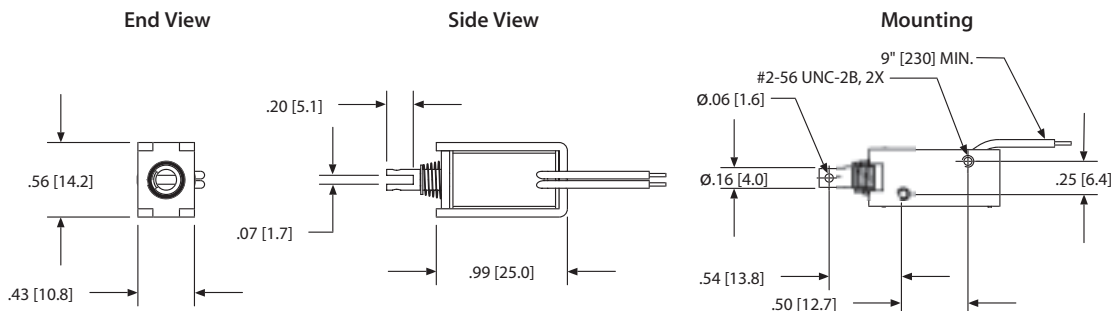
\* Other options available upon request



### Coil Data:

Voltage (VDC)	25% Duty — 12W		10% Duty — 30W	
	Resistance (Ω)	Part Number	Resistance (Ω)	Part Number
3	0.75	SD0425L0325	0.3	SD0425L0310
6	3	SD0425L0625	1.2	SD0425L0610
12	12	SD0425L1225	4.8	SD0425L1210
24	48	SD0425L2425	19.2	SD0425L2410

Typical force @20°C and nominal rated DC voltage. Resistance values ±10% @20°C. All data subject to change. Other voltages and duty cycles available upon request.



Notes: Solenoid shown in energized position. Dimensions listed are for reference only. Dimensions shown in inches and [mm].