

# SD0740L

**Pull Type, Open Frame,  
Magnetic Latching Solenoid**

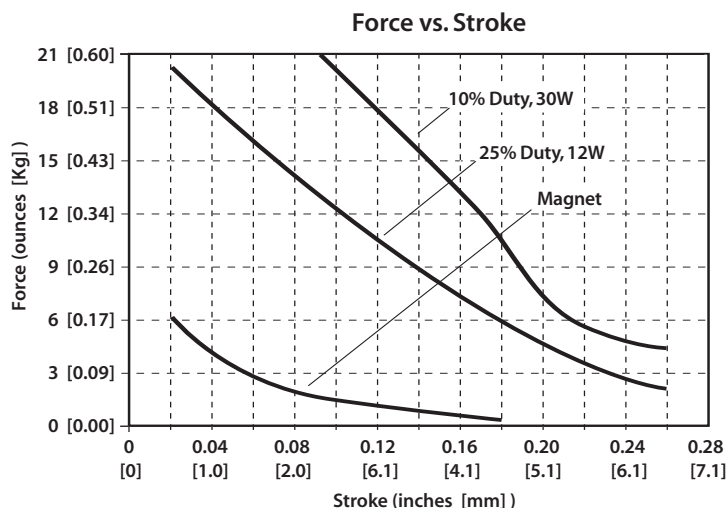
0.61" W × 0.75" H × 1.57" L  
(15.6mm × 19mm × 40mm)



## Specifications:

Operation: ..... Pull  
 Insulation: ..... Class "A" (105°C) standard\*  
 Coil Termination: ..... 26AWG flying leads per drawing\*  
 Plunger linkage: ..... Slot and cross-drilled\*  
 Plunger pole face: ..... 20° stepped conical\*  
 Solenoid weight: ..... 1.3oz [37g]  
 Plunger weight: ..... 0.32oz [9g]  
 Dielectric Strength: ..... 1000VAC for one second  
 Operating temperature range: ..... -20°C to 40°C

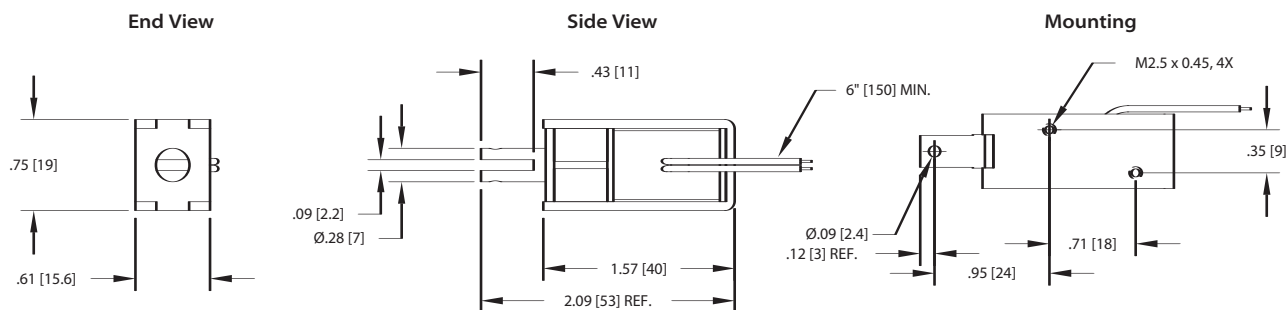
\* Other options available upon request



## Coil Data:

Voltage (VDC)	25% Duty — 12W		10% Duty — 30W	
	Resistance (Ω)	Part Number	Resistance (Ω)	Part Number
3	0.75	SD0740L0325	0.30	SD0740L0310
6	3.0	SD0740L0625	1.2	SD0740L0610
12	12.0	SD0740L1225	4.8	SD0740L1210
24	48.0	SD0740L2425	19.2	SD0740L2410

Typical force @20°C and nominal rated DC voltage. Resistance values ±10% @20°C. All data subject to change. Other voltages and duty cycles available upon request.



Notes: Solenoid shown in energized position. Dimensions listed are for reference only. Dimensions shown in inches and [mm].