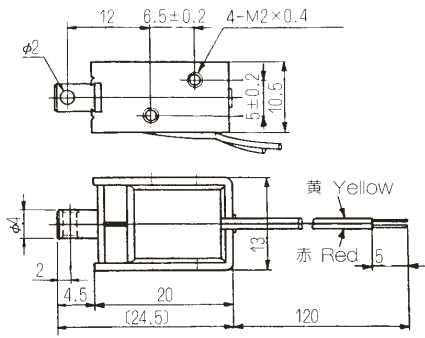
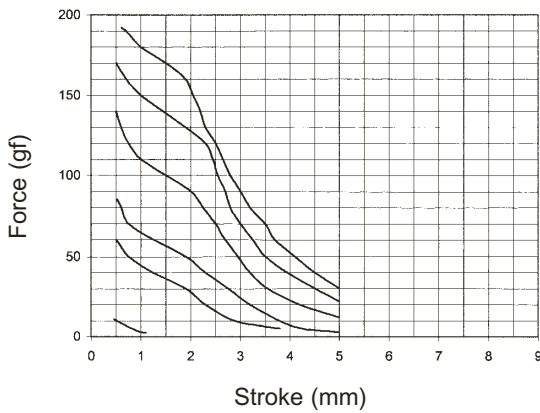


SDK-0420L

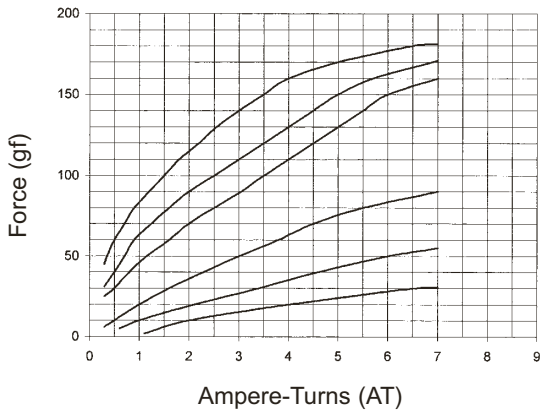


Solenoid Weight 12.3g – Plunger Weight 2.2g

STROKE Vs FORCE

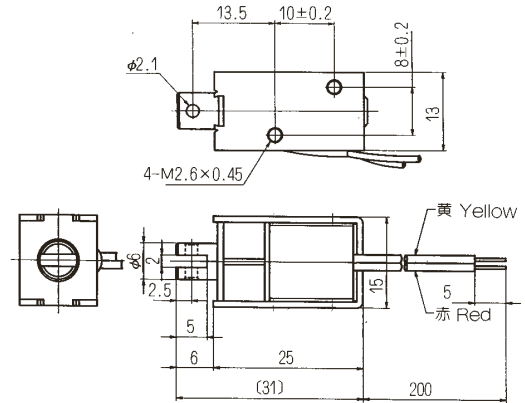


AMPERE-TURNS Vs FORCE



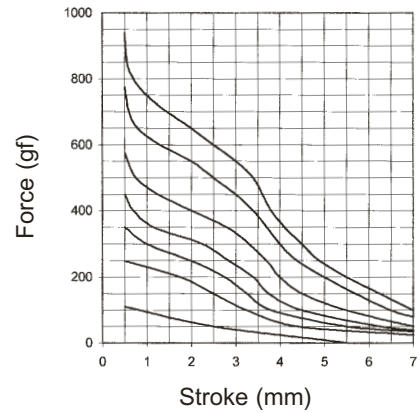
Maximum Duty Cycle (%)		Continuous	33%	20%	14%
MAX. "on" time in seconds		∞	14	10	6
Watts at 20°C		1	3	5	7
Ampere-turns at 20°C		200	361	445	530
Type no.	Resistance (20°C) Ω+10%	No. turns	Volts DC		
SDK-0420L-6	36	11191	6	10	13
SDK-0420L-12	144	2471	12	21	27
SDK-0420L-24	576	4920	24	42	54
SDK-0420L-48	2304	9136	48	83	108

SDK-0625L

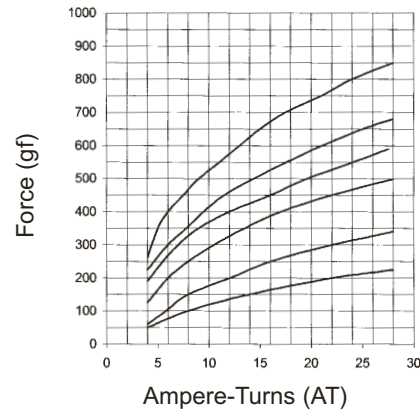


Solenoid Weight 25.7g – Plunger Weight 4.6g

STROKE Vs FORCE



AMPERE-TURNS Vs FORCE



Maximum Duty Cycle (%)		50%	25%	15%	10%
MAX. "on" time in seconds		60	34	12	7
Watts at 20°C		5.3	10	20	30
Ampere-turns at 20°C		436	596	850	1034
Type no.	Resistance (20°C) Ω+10%	No. turns	Volts DC		
SDK-0625L-6	6.8	520	6	8	12
SDK-0625L-12	27	1030	12	16	23
SDK-0625L-24	108	1965	24	33	46
SDK-0625L-48	1270	3980	48	66	93