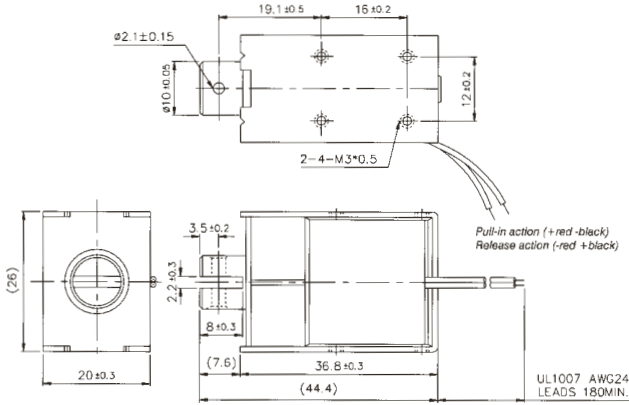
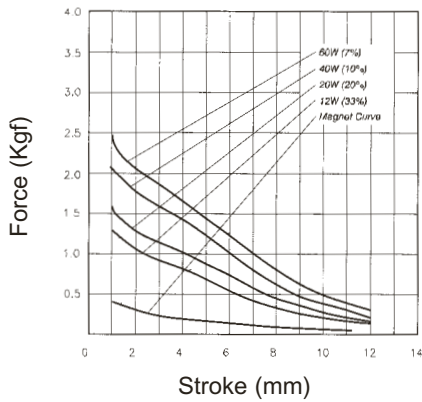


# SDK-1037L

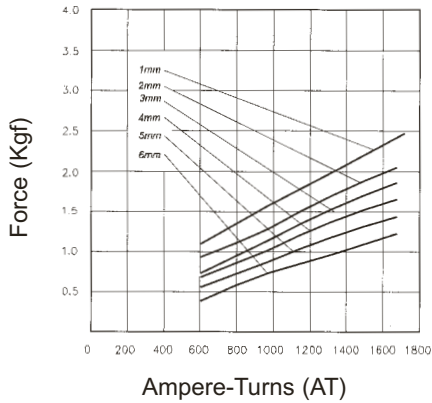


Solenoid Weight 95g – Plunger Weight 18g

## STROKE Vs FORCE

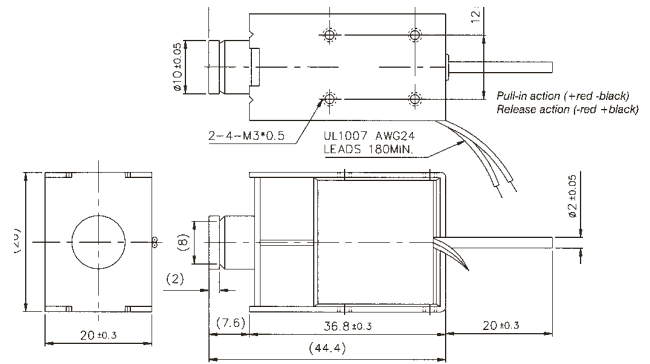


## AMPERE-TURNS Vs FORCE



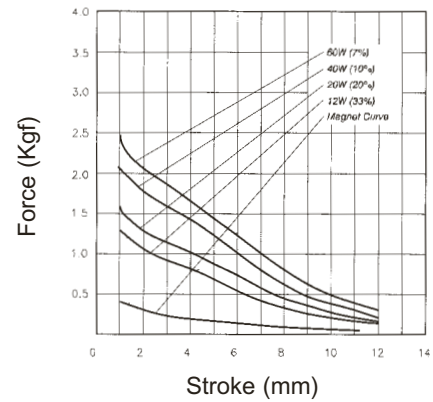
Maximum Duty Cycle (%)		33%	20%	10%	7%
MAX. "on" time in seconds		150	80	30	24
Watts at 20°C		12	20	40	60
Ampere-turns at 20°C		750	970	1376	1675
Type no.	Resistance (20°C) Ω+10%	No. turns	Volts DC		
SDK-1037L3.5—	3	380	6	7.8	11 13.4
SDK-1037L6.9—	12	750	12	15.5	22 26.8
SDK-1037L13.9—	48	1530	24	31	44 53.7
SDK-1037L27.7—	192	2950	48	62	88 107

# SDK-1037S

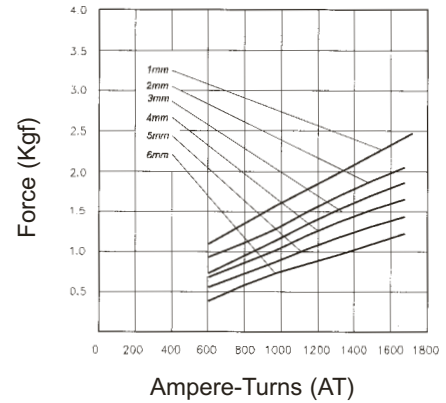


Solenoid Weight 95g – Plunger Weight 18g

## STROKE Vs FORCE



## AMPERE-TURNS Vs FORCE



Maximum Duty Cycle (%)		33%	20%	10%	7%
MAX. "on" time in seconds		150	80	30	24
Watts at 20°C		12	20	40	60
Ampere-turns at 20°C		750	970	1376	1675
Type no.	Resistance (20°C) Ω+10%	No. turns	Volts DC		
SDK-1037S3.5—	3	380	6	7.8	11 13.4
SDK-1037S6.9—	12	750	12	15.5	22 26.8
SDK-1037S13.9—	48	1530	24	31	44 53.7
SDK-1037S27.7—	192	2950	48	62	88 107