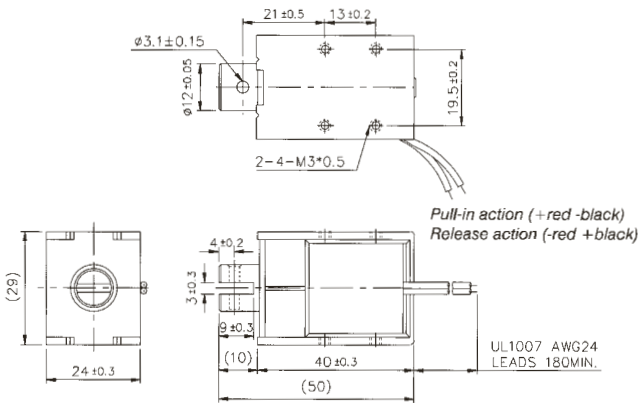
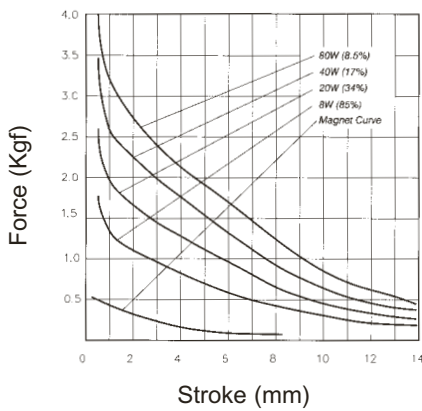


# SDK-1240L

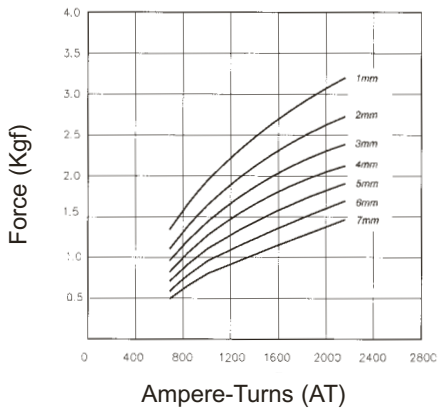


Solenoid Weight 133g – Plunger Weight 31g

## STROKE Vs FORCE

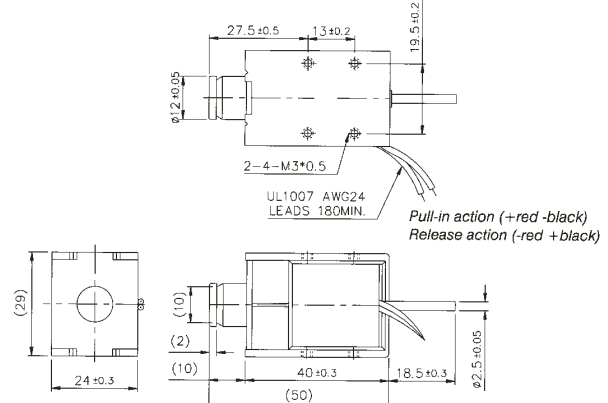


## AMPERE-TURNS Vs FORCE



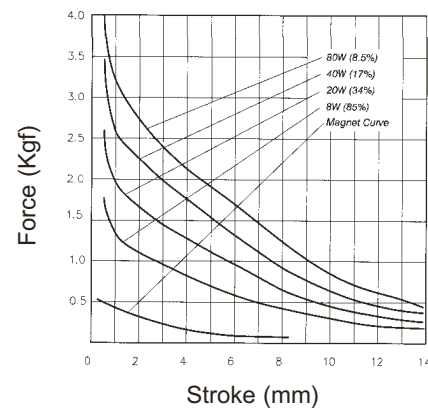
Maximum Duty Cycle (%)		85%	34%	17%	8.5%	
MAX. "on" time in seconds		240	50	25	10	
Watts at 20°C		8	20	40	80	
Ampere-turns at 20°C		685	1080	1530	2160	
Type no.	Resistance (20°C) $\Omega \pm 10\%$	No. turns	Volts DC			
SDK-1240L5.5—	4.5	510	6	9.5	13.4	19
SDK-1240L11—	18	1070	12	19	26.8	38
SDK-1240L22—	72	2050	24	38	53.7	76
SDK-1240L44—	288	4000	48	76	107	152

# SDK-1240S

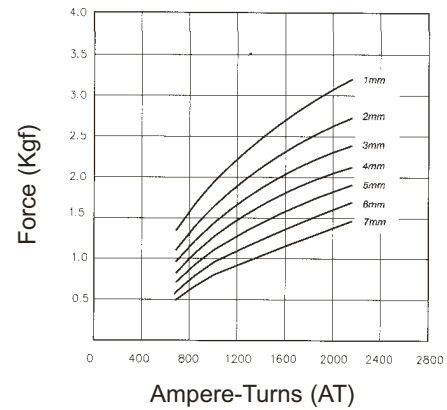


Solenoid Weight 133g – Plunger Weight 31g

## STROKE Vs FORCE



## AMPERE-TURNS Vs FORCE



Maximum Duty Cycle (%)		85%	34%	17%	8.5%	
MAX. "on" time in seconds		240	50	25	10	
Watts at 20°C		8	20	40	80	
Ampere-turns at 20°C		685	1080	1530	2160	
Type no.	Resistance (20°C) $\Omega \pm 10\%$	No. turns	Volts DC			
SDK-1240S5.5—	4.5	510	6	9.5	13.4	19
SDK-1240S11—	18	1070	12	19	26.8	38
SDK-1240S22—	72	2050	24	38	53.7	76
SDK-1240S44—	288	4000	48	76	107	152