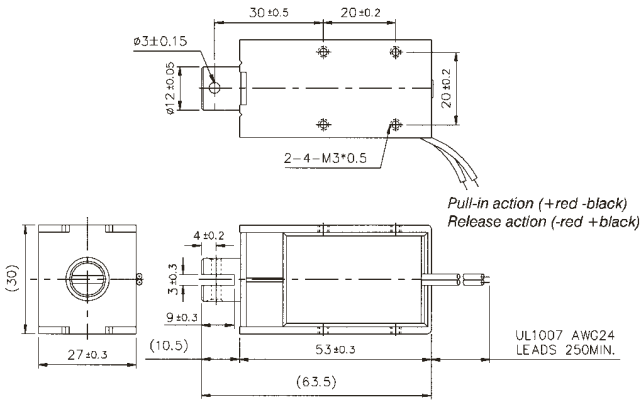
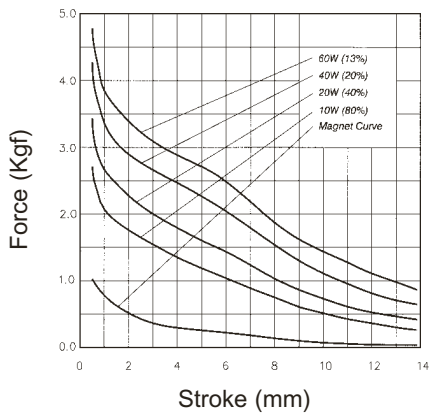


SDK-1253L

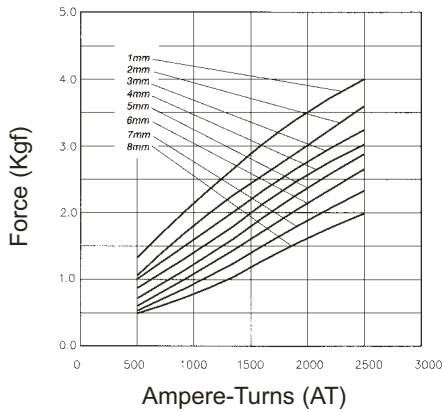


Solenoid Weight 211g – Plunger Weight 43g

STROKE Vs FORCE

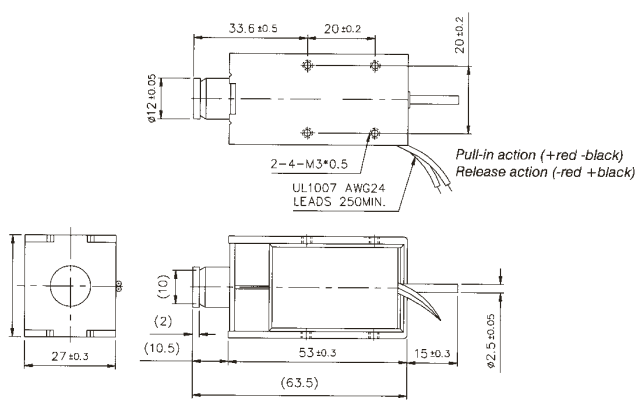


AMPERE-TURNS Vs FORCE



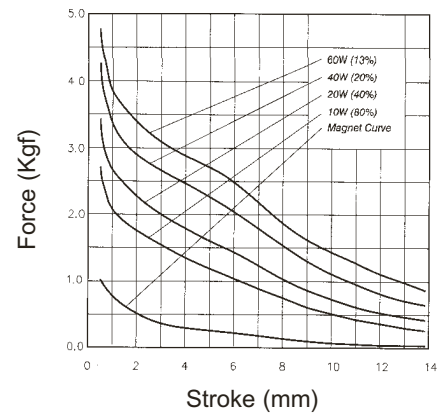
Maximum Duty Cycle (%)		80%	40%	20%	13%	
MAX. "on" time in seconds		400	90	35	20	
Watts at 20°C		10	20	40	60	
Ampere-turns at 20°C		950	1341	1898	2327	
Type no.	Resistance (20°C) Ω+10%	No. turns	Volts DC			
SDK-1253L5.4—	3.6	565	6	8	12	15
SDK-1253L10.7—	14.4	1130	12	17	24	29
SDK-1253L21.5—	57.6	2310	24	34	48	59
SDK-1253L42.9—	230	4500	48	68	96	117

SDK-1253S

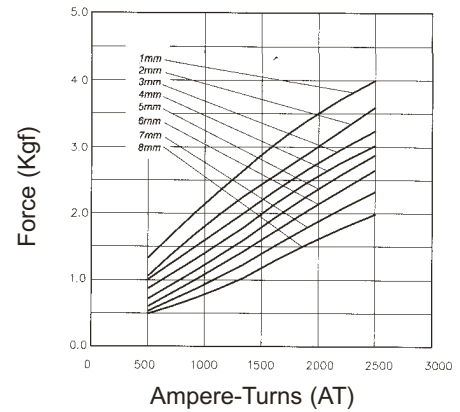


Solenoid Weight 211g – Plunger Weight 43g

STROKE Vs FORCE



AMPERE-TURNS Vs FORCE



Maximum Duty Cycle (%)		80%	40%	20%	13%	
MAX. "on" time in seconds		400	90	35	20	
Watts at 20°C		10	20	40	60	
Ampere-turns at 20°C		950	1341	1898	2327	
Type no.	Resistance (20°C) Ω+10%	No. turns	Volts DC			
SDK-1253S5.4—	3.6	565	6	8	12	15
SDK-1253S10.7—	14.4	1130	12	17	24	29
SDK-1253S21.5—	57.6	2310	24	34	48	59
SDK-1253S42.9—	230	4500	48	68	96	117