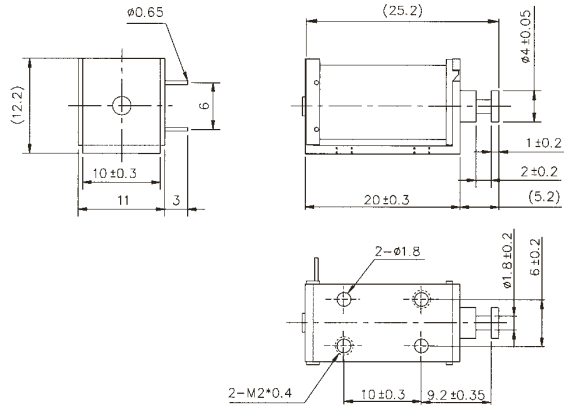
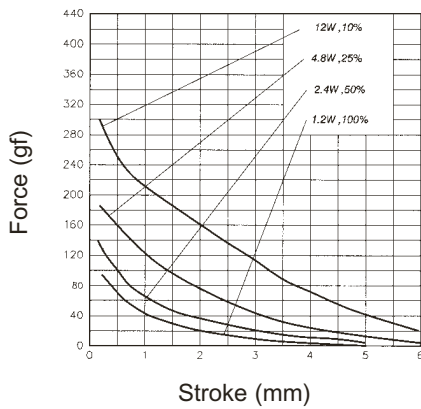


SDO-0420L

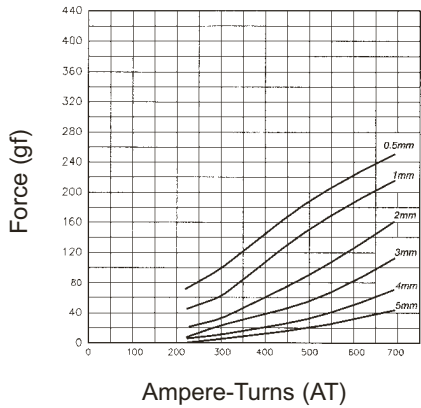


Solenoid Weight 8g – Plunger Weight 2g

STROKE Vs FORCE

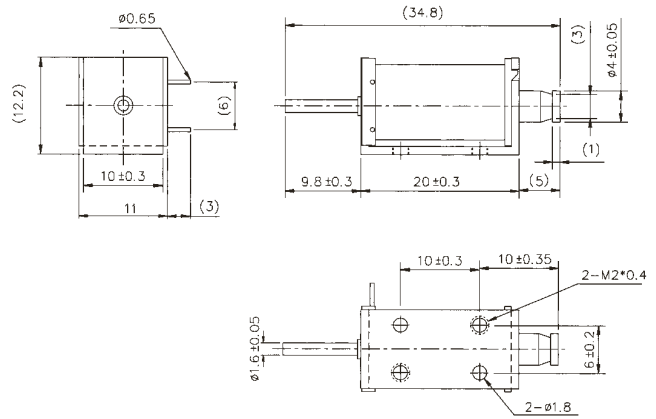


AMPERE-TURNS Vs FORCE



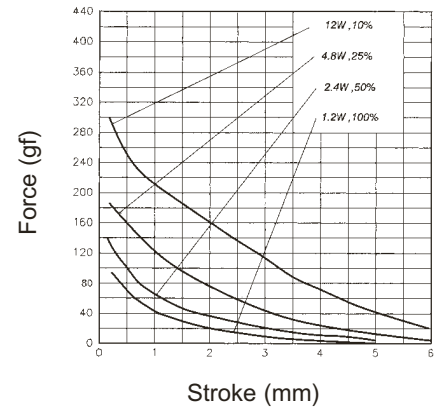
Maximum Duty Cycle (%)			Continuous	50%	25%	10%
MAX. "on" time in seconds			∞	50	18	2
Watts at 20°C			1.2	2.4	4.8	12
Ampere-turns at 20°C			219	309	438	692
Type no.	Resistance (20°C) Ω+10%	No. turns	Volts DC			
SDO-0420L06—	30	1095	6	8.5	12	19
SDO-0420L12—	120	2190	12	17	24	38
SDO-0420L24—	480	4380	24	34	48	76
SDO-0420L48—	1920	8760	48	68	96	152

SDO-0420S

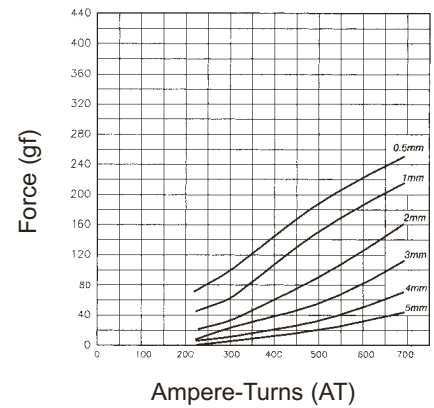


Solenoid Weight 8g – Plunger Weight 2g

STROKE Vs FORCE



AMPERE-TURNS Vs FORCE



Maximum Duty Cycle (%)			Continuous	50%	25%	10%
MAX. "on" time in seconds			∞	50	18	2
Watts at 20°C			1.2	2.4	4.8	12
Ampere-turns at 20°C			219	309	438	692
Type no.	Resistance (20°C) Ω+10%	No. turns	Volts DC			
SDO-0420S06—	30	1095	6	8.5	12	19
SDO-0420S12—	120	2190	12	17	24	38
SDO-0420S24—	480	4380	24	34	48	76
SDO-0420S48—	1920	8760	48	68	96	152