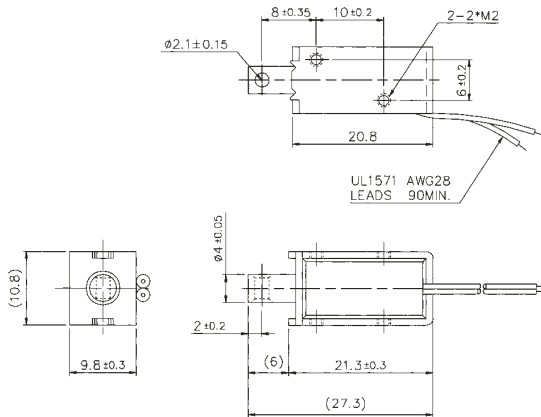
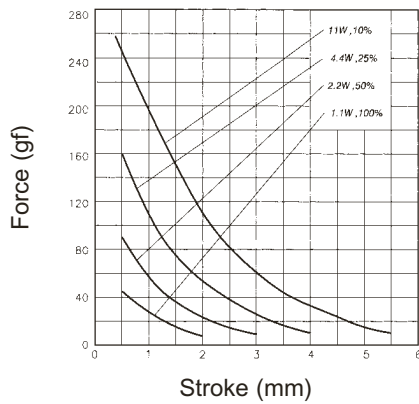


SDO-0421L

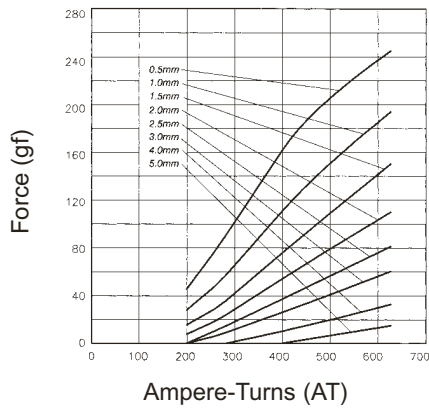


Solenoid Weight 10g – Plunger Weight 2g

STROKE Vs FORCE

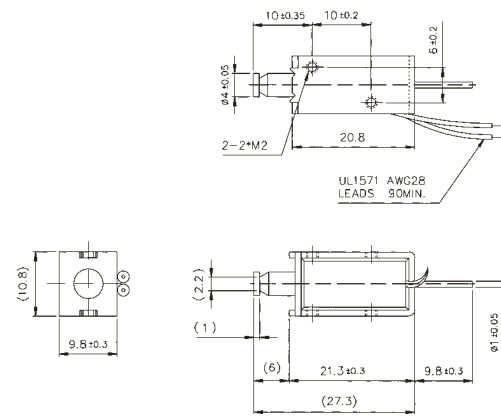


AMPERE-TURNS Vs FORCE



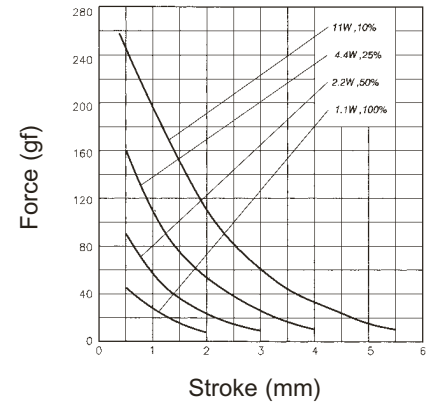
Maximum Duty Cycle (%)		Continuous	50%	25%	10%
MAX. "on" time in seconds		∞	50	18	2
Watts at 20°C		1.1	2.2	4.4	11
Ampere-turns at 20°C		198	281	396	627
Type no.	Resistance (20°C) Ω+10%	No. turns	Volts DC		
SDO-0421L03—	8.18	540	3	4.2	6 9.5
SDO-0421L06—	32.7	1079	6	8.5	12 19
SDO-0421L12—	131	2162	12	17	24 38
SDO-0421L24—	524	4323	24	34	48 76

SDO-0421S

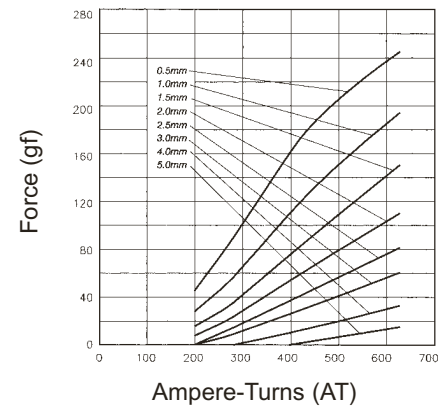


Solenoid Weight 10g – Plunger Weight 2g

STROKE Vs FORCE



AMPERE-TURNS Vs FORCE



Maximum Duty Cycle (%)		Continuous	50%	25%	10%
MAX. "on" time in seconds		∞	50	18	2
Watts at 20°C		1.1	2.2	4.4	11
Ampere-turns at 20°C		198	281	396	627
Type no.	Resistance (20°C) Ω+10%	No. turns	Volts DC		
SDO-0421S03—	8.18	540	3	4.2	6 9.5
SDO-0421S06—	32.7	1079	6	8.5	12 19
SDO-0421S12—	131	2162	12	17	24 38
SDO-0421S24—	524	4323	24	34	48 76