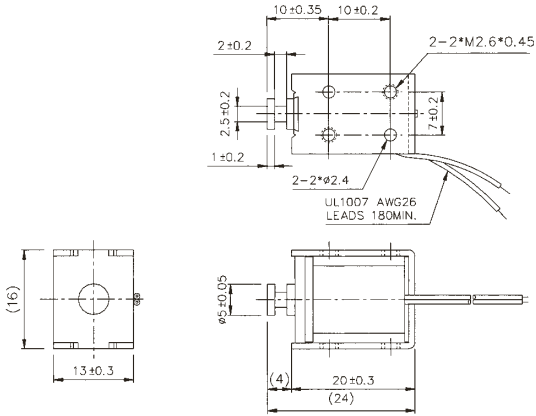
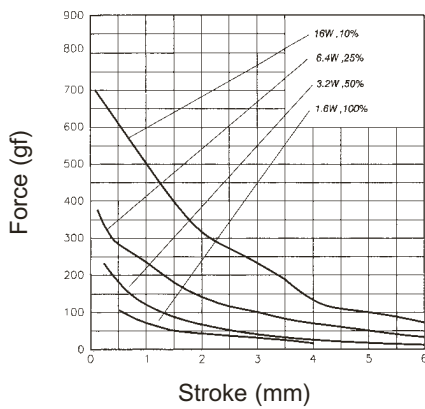


# SDO-0520L

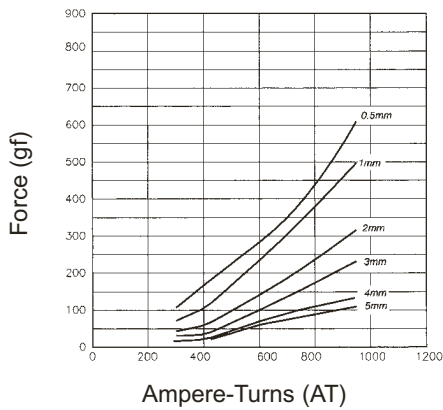


Solenoid Weight 18g – Plunger Weight 2.4g

### STROKE Vs FORCE

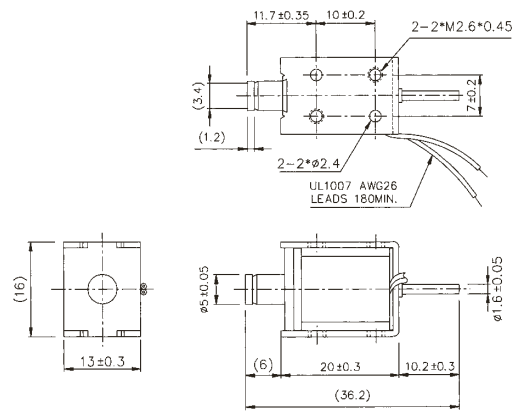


### AMPERE-TURNS Vs FORCE



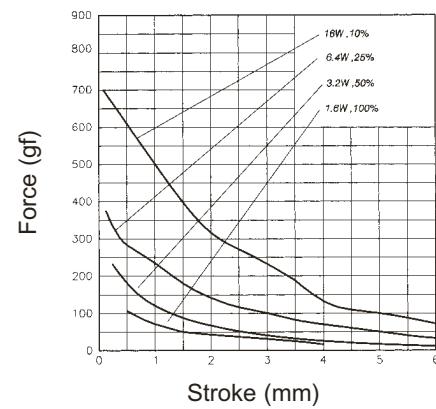
Maximum Duty Cycle (%)		Continuous	50%	25%	10%
MAX. "on" time in seconds		∞	55	19	3
Watts at 20°C		1.6	3.2	6.4	16
Ampere-turns at 20°C		300	424	600	948
Type no.	Resistance (20°C) Ω+10%	No. turns	Volts DC		
SDO-0520L06—	23	1150	6	8.5	12
SDO-0520L12—	90	2290	12	17	24
SDO-0520L24—	360	4500	24	34	48
SDO-0520L48—	1440	8600	48	68	96

# SDO-0520S

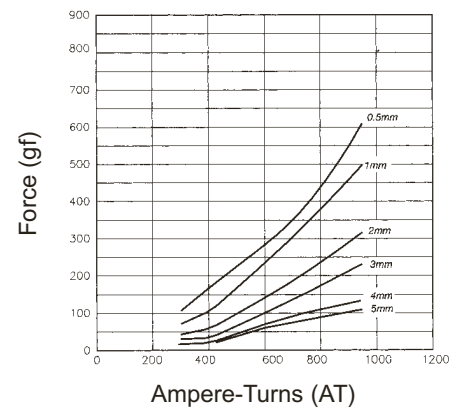


Solenoid Weight 18g – Plunger Weight 2.4g

### STROKE Vs FORCE



### AMPERE-TURNS Vs FORCE



Maximum Duty Cycle (%)		Continuous	50%	25%	10%
MAX. "on" time in seconds		∞	55	19	3
Watts at 20°C		1.6	3.2	6.4	16
Ampere-turns at 20°C		300	424	600	948
Type no.	Resistance (20°C) Ω+10%	No. turns	Volts DC		
SDO-0520S06—	23	1150	6	8.5	12
SDO-0520S12—	90	2290	12	17	24
SDO-0520S24—	360	4500	24	34	48
SDO-0520S48—	1440	8600	48	68	96