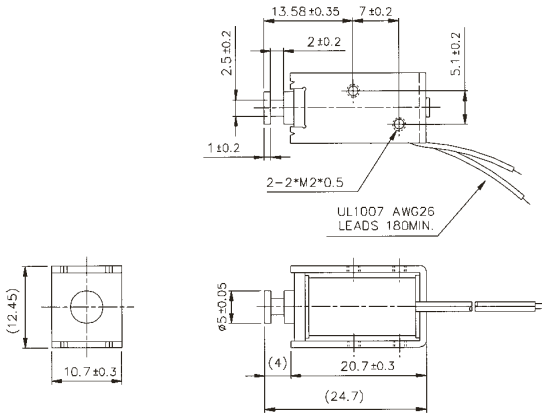
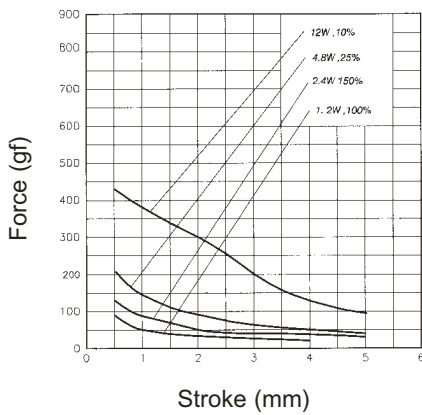


SDO-0521L

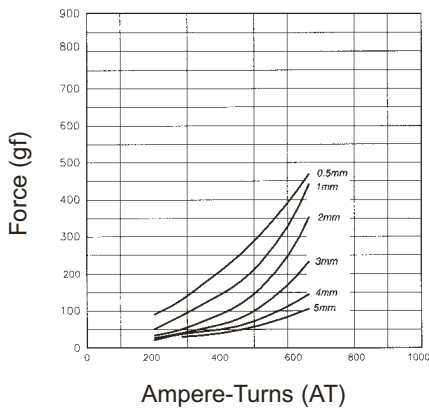


Solenoid Weight 10g – Plunger Weight 2.4g

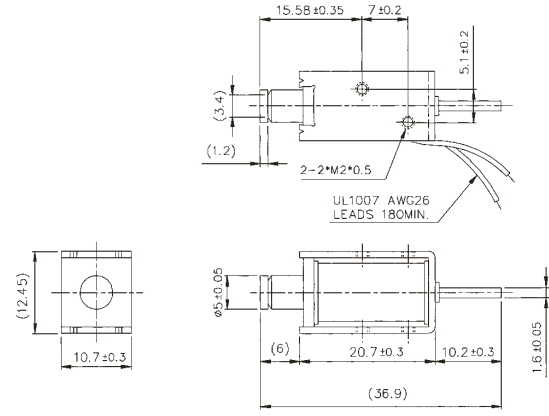
STROKE Vs FORCE



AMPERE-TURNS Vs FORCE

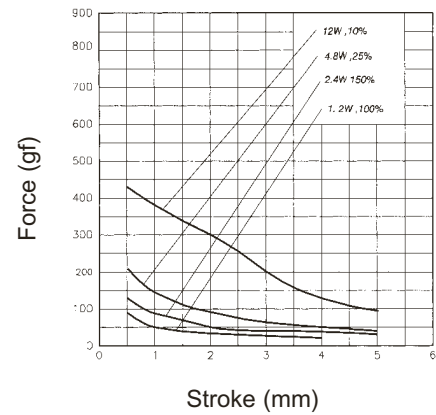


SDO-0521S

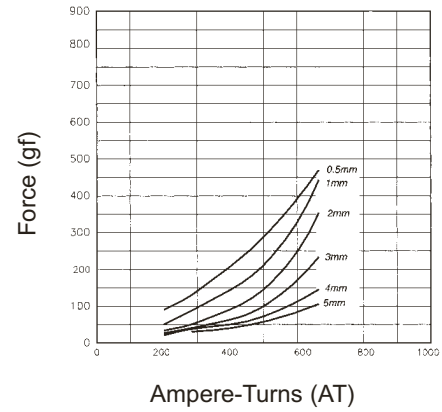


Solenoid Weight 10g – Plunger Weight 2.4g

STROKE Vs FORCE



AMPERE-TURNS Vs FORCE



Maximum Duty Cycle (%)		Continuous	50%	25%	10%	
MAX. "on" time in seconds		∞	50	18	2	
Watts at 20°C		1.2	2.4	4.8	12	
Ampere-turns at 20°C		200	283	400	633	
Type no.	Resistance (20°C) Ω+10%	No. turns	Volts DC			
SDO-0521L06—	30	1000	6	8.5	12	19
SDO-0521L12—	120	2000	12	17	24	38
SDO-0521L24—	480	4000	24	34	48	76
SDO-0521L48—	1920	8000	48	68	96	152

Maximum Duty Cycle (%)		Continuous	50%	25%	10%	
MAX. "on" time in seconds		∞	50	18	2	
Watts at 20°C		1.2	2.4	4.8	12	
Ampere-turns at 20°C		200	283	400	633	
Type no.	Resistance (20°C) Ω+10%	No. turns	Volts DC			
SDO-0521S06—	30	1000	6	8.5	12	19
SDO-0521S12—	120	2000	12	17	24	38
SDO-0521S24—	480	4000	24	34	48	76
SDO-0521S48—	1920	8000	48	68	96	152