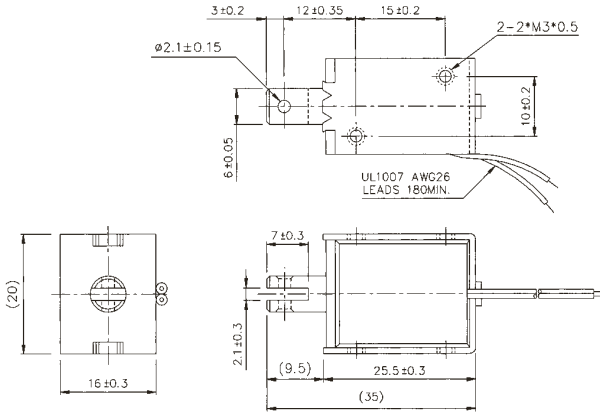
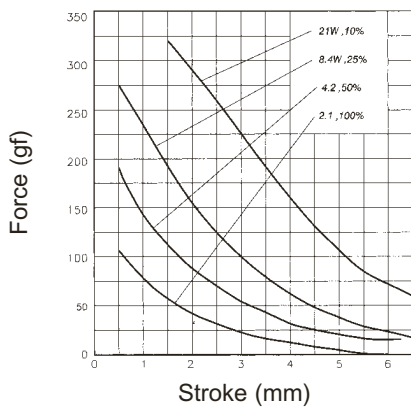


# SDO-0626L

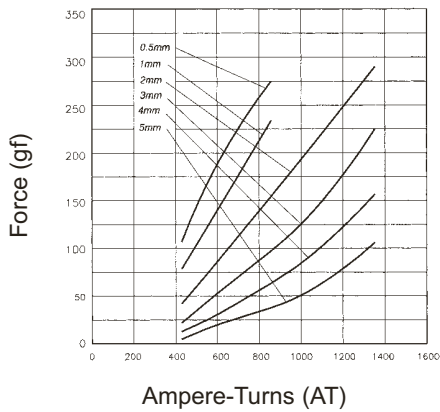


Solenoid Weight 43g – Plunger Weight 5g

STROKE Vs FORCE

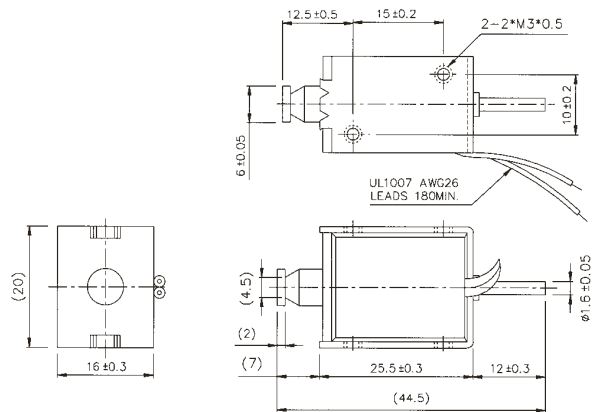


AMPERE-TURNS Vs FORCE



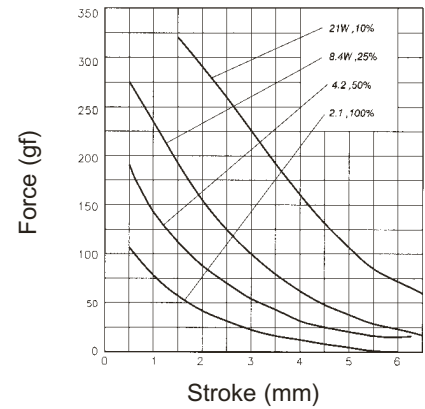
Maximum Duty Cycle (%)		Continuous	50%	25%	10%	
MAX. "on" time in seconds		∞	55	19	3	
Watts at 20°C		2.1	4.2	8.4	21	
Ampere-turns at 20°C		428	605	856	1353	
Type no.	Resistance (20°C) Ω+10%	No. turns	Volts DC			
SDO-0626L06—	17.1	1220	6	8.5	12	19
SDO-0626L12—	68.6	2447	12	17	24	38
SDO-0626L24—	274	4886	24	34	48	76
SDO-0626L48—	1097	9782	48	68	96	152

# SDO-0626S

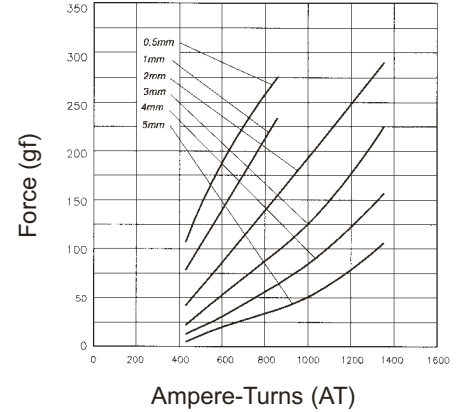


Solenoid Weight 43g – Plunger Weight 5g

STROKE Vs FORCE



AMPERE-TURNS Vs FORCE



Maximum Duty Cycle (%)		Continuous	50%	25%	10%	
MAX. "on" time in seconds		∞	55	19	3	
Watts at 20°C		2.1	4.2	8.4	21	
Ampere-turns at 20°C		428	605	856	1353	
Type no.	Resistance (20°C) Ω+10%	No. turns	Volts DC			
SDO-0626S06—	17.1	1220	6	8.5	12	19
SDO-0626S12—	68.6	2447	12	17	24	38
SDO-0626S24—	274	4886	24	34	48	76
SDO-0626S48—	1097	9782	48	68	96	152