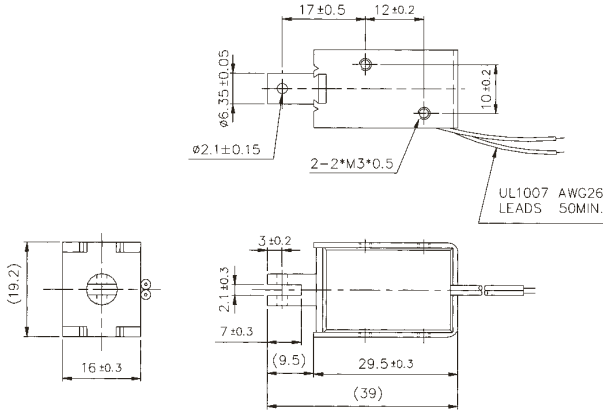
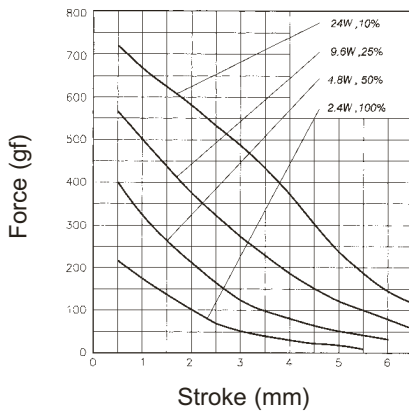


# SDO-0630L

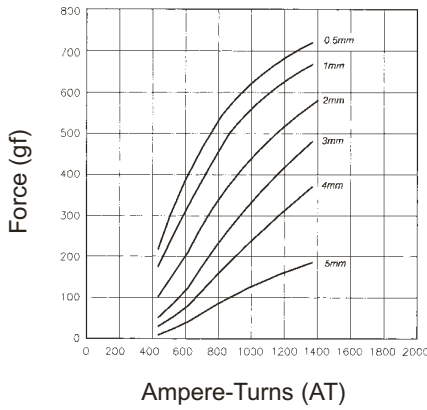


Solenoid Weight 42g – Plunger Weight 5g

## STROKE Vs FORCE

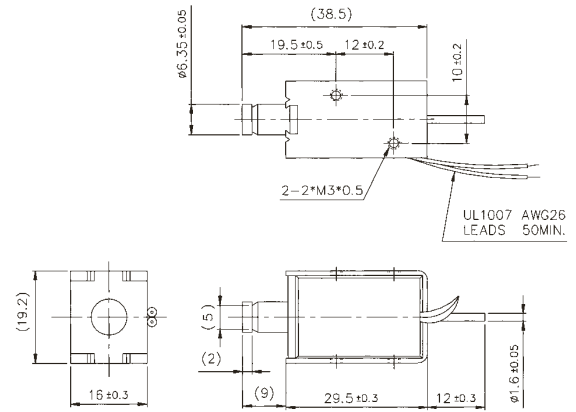


## AMPERE-TURNS Vs FORCE



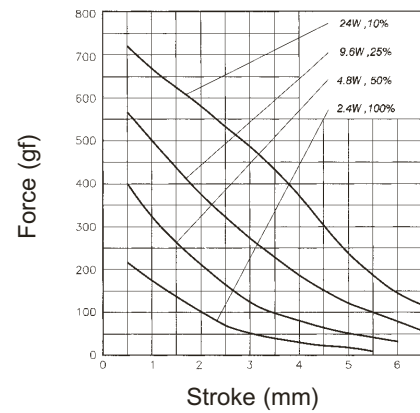
Maximum Duty Cycle (%)		Continuous	50%	25%	10%	
MAX. "on" time in seconds		∞	55	19	3	
Watts at 20°C		2.4	4.8	9.6	24	
Ampere-turns at 20°C		432	615	864	1368	
Type no.	Resistance (20°C) Ω+10%	No. turns	Volts DC			
SDO-0630L06—	15	1080	6	8.5	12	19
SDO-0630L12—	60	2160	12	17	24	38
SDO-0630L24—	240	4320	24	34	48	76
SDO-0630L48—	960	8640	48	68	96	152

# SDO-0630S

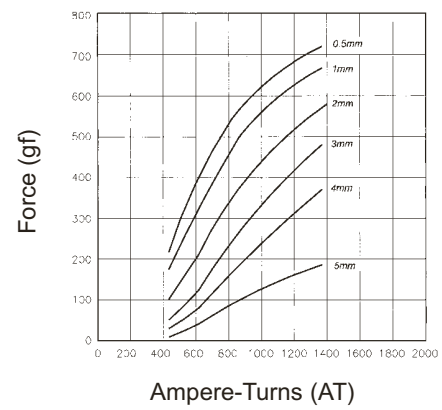


Solenoid Weight 42g – Plunger Weight 5g

## STROKE Vs FORCE



## AMPERE-TURNS Vs FORCE



Maximum Duty Cycle (%)		Continuous	50%	25%	10%	
MAX. "on" time in seconds		∞	55	19	3	
Watts at 20°C		2.4	4.8	9.6	24	
Ampere-turns at 20°C		432	615	864	1368	
Type no.	Resistance (20°C) Ω+10%	No. turns	Volts DC			
SDO-0630S06—	15	1080	6	8.5	12	19
SDO-0630S12—	60	2160	12	17	24	38
SDO-0630S24—	240	4320	24	34	48	76
SDO-0630S48—	960	8640	48	68	96	152