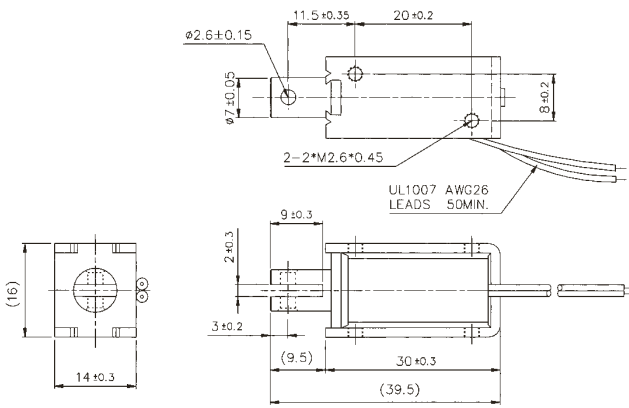
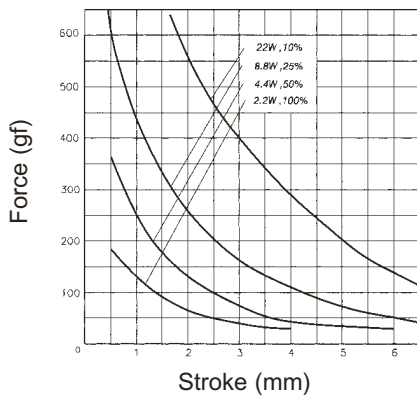


SDO-0730L

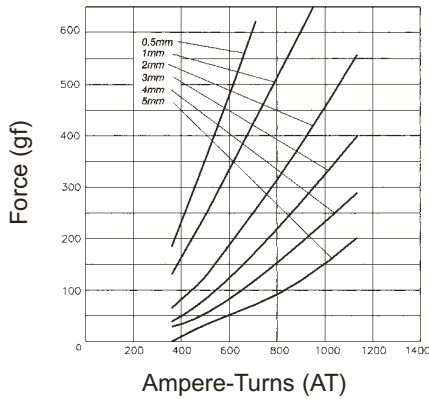


Solenoid Weight 33g – Plunger Weight 8g

STROKE Vs FORCE

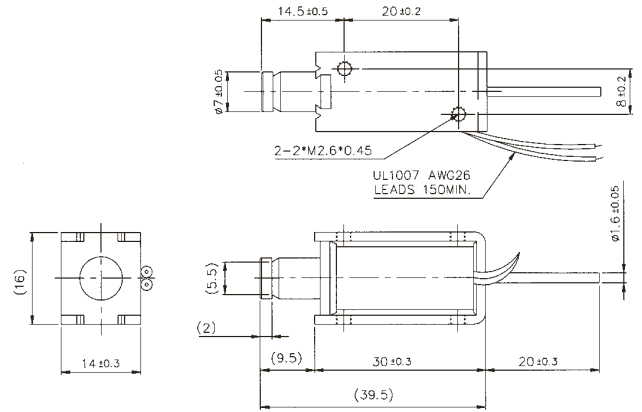


AMPERE-TURNS Vs FORCE



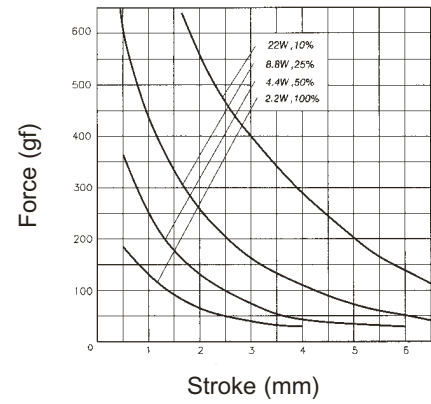
Maximum Duty Cycle (%)		Continuous	50%	25%	10%	
MAX. "on" time in seconds		∞	55	19	3	
Watts at 20°C		2.2	4.4	8.8	22	
Ampere-turns at 20°C		358	507	716	1134	
Type no.	Resistance (20°C) Ω+10%	No. turns	Volts DC			
SDO-0730L06—	16.4	979	6	8.5	12	19
SDO-0730L12—	65.5	1954	12	17	24	38
SDO-0730L24—	262	3908	24	34	48	76
SDO-0730L48—	1047	7809	48	68	96	152

SDO-0730S

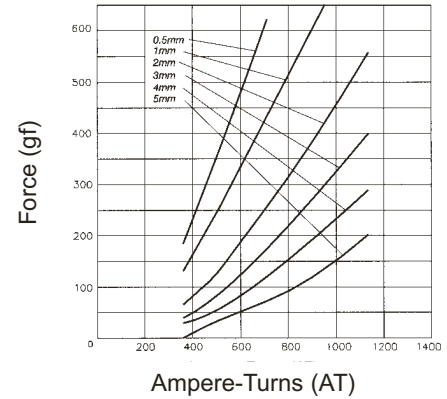


Solenoid Weight 33g – Plunger Weight 8g

STROKE Vs FORCE



AMPERE-TURNS Vs FORCE



Maximum Duty Cycle (%)		Continuous	50%	25%	10%	
MAX. "on" time in seconds		∞	55	19	3	
Watts at 20°C		2.2	4.4	8.8	22	
Ampere-turns at 20°C		358	615	716	1134	
Type no.	Resistance (20°C) Ω+10%	No. turns	Volts DC			
SDO-0730S06—	16.4	979	6	8.5	12	19
SDO-0730S12—	65.5	1954	12	17	24	38
SDO-0730S24—	262	3908	24	34	48	76
SDO-0730S48—	1047	7809	48	68	96	152