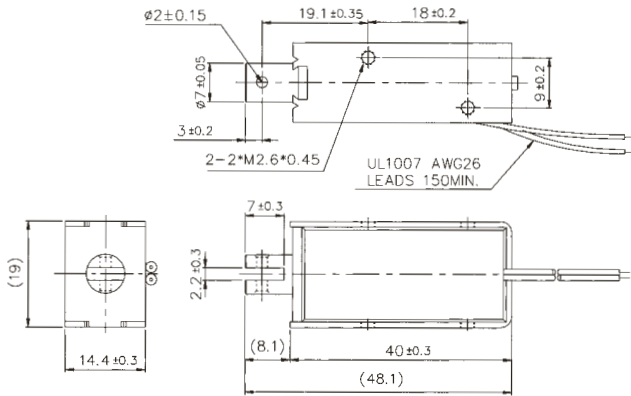
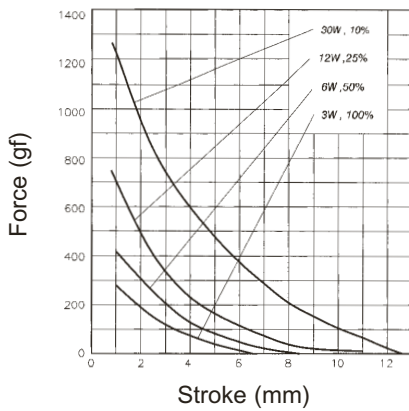


SDO-0740L

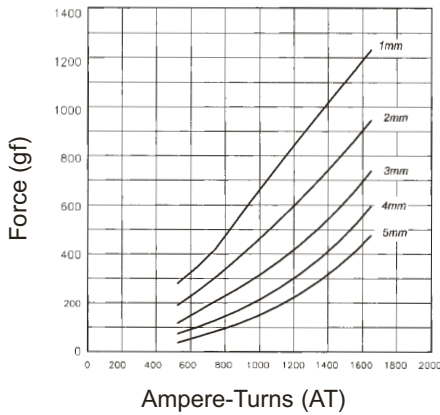


Solenoid Weight 55g – Plunger Weight 9g

STROKE Vs FORCE

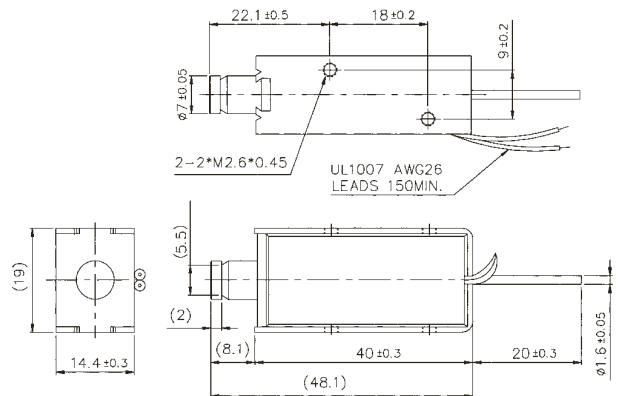


AMPERE-TURNS Vs FORCE



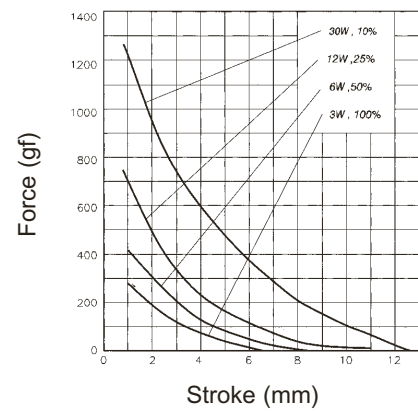
Maximum Duty Cycle (%)		Continuous	50%	25%	10%
MAX. "on" time in seconds		∞	55	19	3
Watts at 20°C		3	6	12	30
Ampere-turns at 20°C		521	738	1042	1650
Type no.	Resistance (20°C) $\Omega \pm 10\%$	No. turns	Volts DC		
SDO-0740L06—	12	1042	6	8.5	12
SDO-0740L12—	48	2084	12	17	24
SDO-0740L24—	192	41668	24	34	48
SDO-0740L48—	768	8336	48	68	96

SDO-0740S

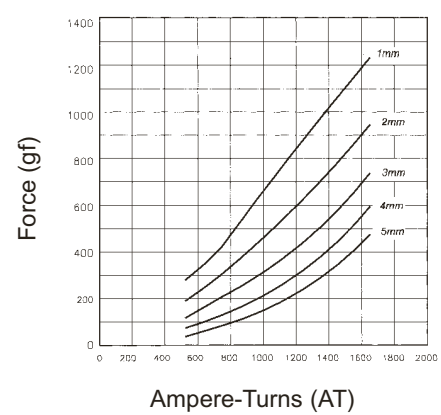


Solenoid Weight 55g – Plunger Weight 9g

STROKE Vs FORCE



AMPERE-TURNS Vs FORCE



Maximum Duty Cycle (%)		Continuous	50%	25%	10%
MAX. "on" time in seconds		∞	55	19	3
Watts at 20°C		3	6	12	30
Ampere-turns at 20°C		521	738	1042	1650
Type no.	Resistance (20°C) $\Omega \pm 10\%$	No. turns	Volts DC		
SDO-0740S06—	12	1042	6	8.5	12
SDO-0740S12—	48	2084	12	17	24
SDO-0740S24—	192	41668	24	34	48
SDO-0740S48—	768	8336	48	68	96