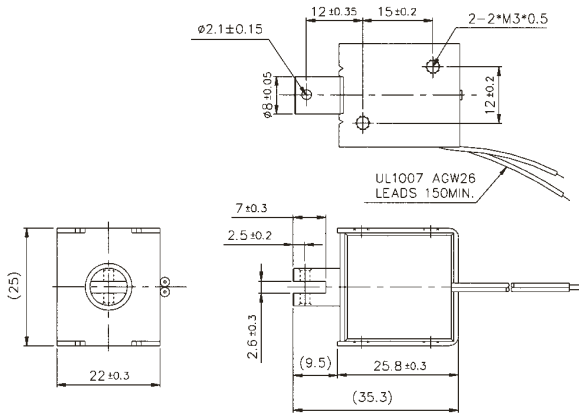
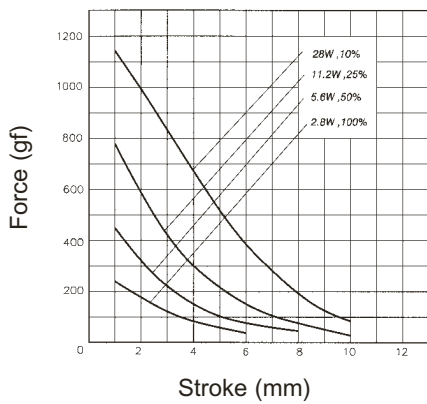


SDO-0826L

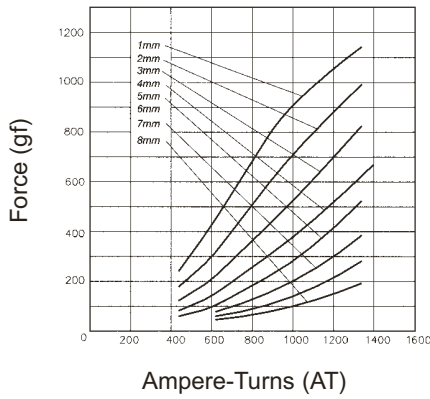


Solenoid Weight 66g – Plunger Weight 9g

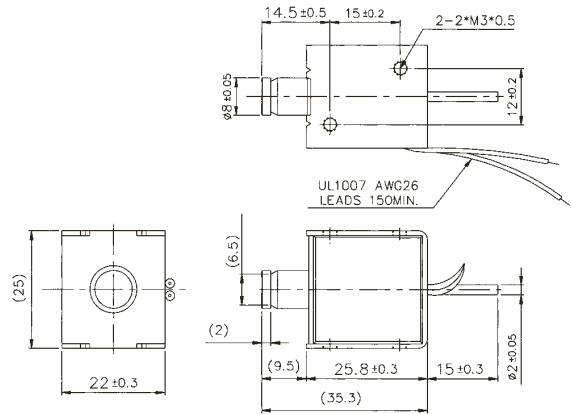
STROKE Vs FORCE



AMPERE-TURNS Vs FORCE

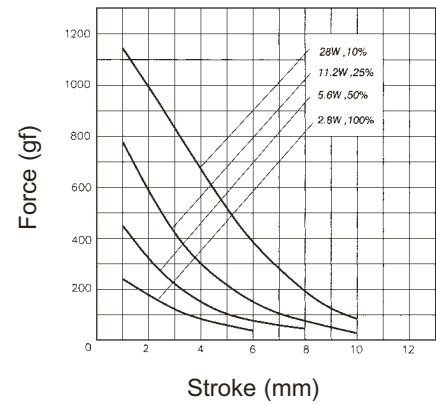


SDO-0826S

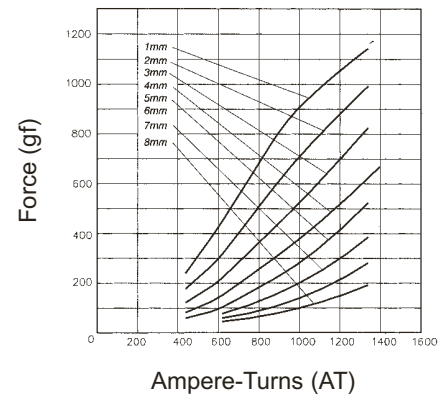


Solenoid Weight 66g – Plunger Weight 9g

STROKE Vs FORCE



AMPERE-TURNS Vs FORCE



Maximum Duty Cycle (%)		Continuous	50%	25%	10%
MAX. "on" time in seconds		∞	100	36	7
Watts at 20°C		2.8	5.6	11.2	28
Ampere-turns at 20°C		436	617	872	1380
Type no.	Resistance (20°C) Ω+10%	No. turns	Volts DC		
SDO-0826L06—	12.9	937	6	8.5	12
SDO-0826L12—	51.4	1868	12	17	24
SDO-0826L24—	206	3741	24	34	48
SDO-0826L48—	823	7476	48	68	96

Maximum Duty Cycle (%)		Continuous	50%	25%	10%
MAX. "on" time in seconds		∞	100	36	7
Watts at 20°C		2.8	5.6	11.2	28
Ampere-turns at 20°C		436	617	872	1380
Type no.	Resistance (20°C) Ω+10%	No. turns	Volts DC		
SDO-0826S06—	12.9	937	6	8.5	12
SDO-0826S12—	51.4	1868	12	17	24
SDO-0826S24—	206	3742	24	34	48
SDO-0826S48—	823	7476	48	68	96