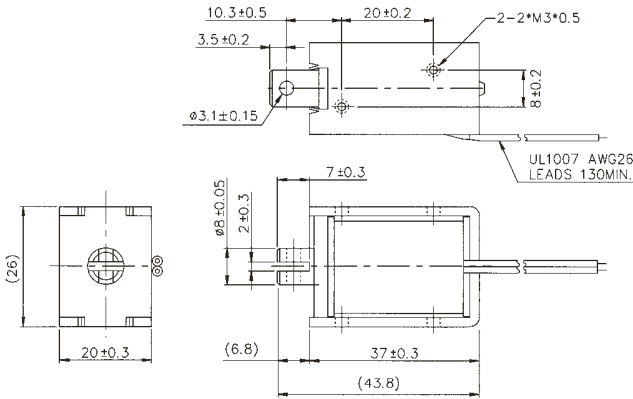
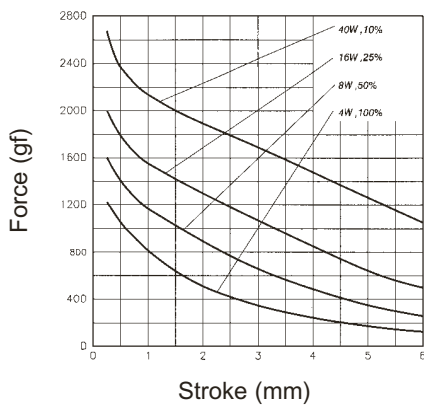


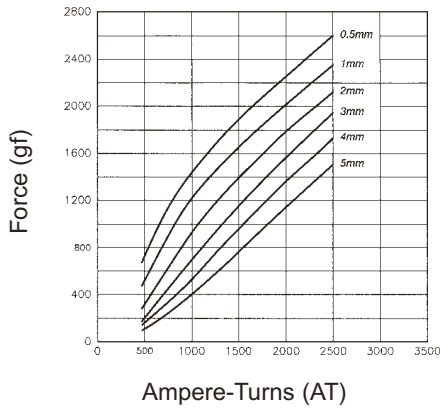
SDO-0837L



Solenoid Weight 96g – Plunger Weight 12g
STROKE Vs FORCE

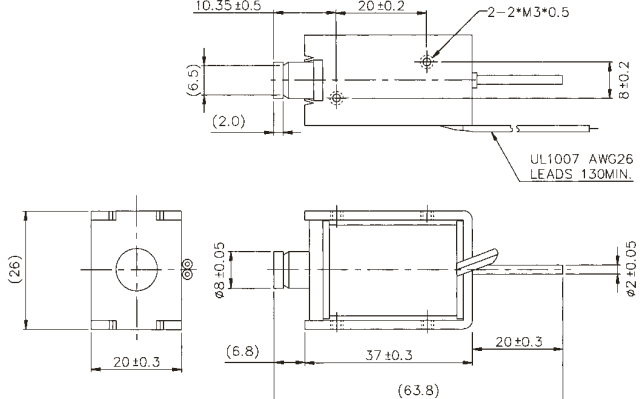


AMPERE-TURNS Vs FORCE

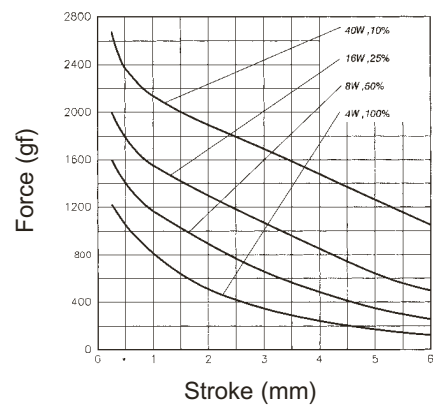


Maximum Duty Cycle (%)			Continuous	50%	25%	10%
MAX. "on" time in seconds			∞	100	36	7
Watts at 20°C			4	8	16	40
Ampere-turns at 20°C			666	941	1332	2106
Type no.	Resistance (20°C) Ω+10%	No. turns	Volts DC			
SDO-0837L06—	9	1000	6	8.5	12	19
SDO-0837L12—	36	2000	12	17	24	38
SDO-0837L24—	144	4000	24	34	48	76
SDO-0837L48—	576	7540	48	68	96	152

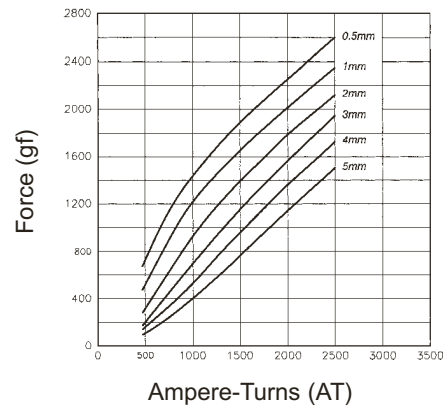
SDO-0837S



Solenoid Weight 96g – Plunger Weight 12g
STROKE Vs FORCE



AMPERE-TURNS Vs FORCE



Maximum Duty Cycle (%)			Continuous	50%	25%	10%
MAX. "on" time in seconds			∞	100	36	7
Watts at 20°C			4	8	16	40
Ampere-turns at 20°C			666	941	1332	2106
Type no.	Resistance (20°C) Ω+10%	No. turns	Volts DC			
SDO-0837S06—	9	1000	6	8.5	12	19
SDO-0837S12—	36	2000	12	17	24	38
SDO-0837S24—	144	4000	24	34	48	76
SDO-0837S48—	576	7540	48	68	96	152