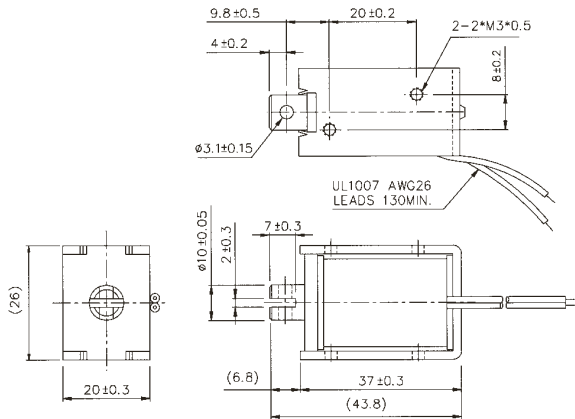
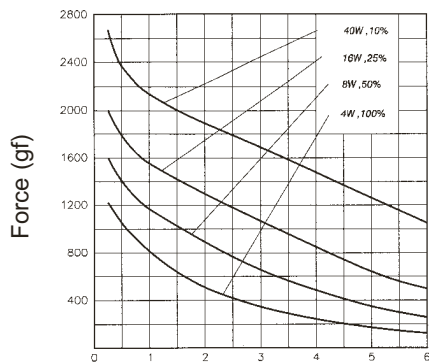


# SDO-1037L



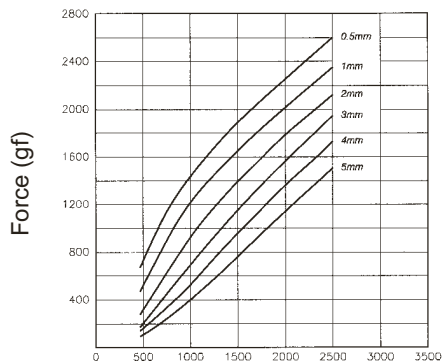
Solenoid Weight 96g – Plunger Weight 19g

STROKE Vs FORCE



Stroke (mm)

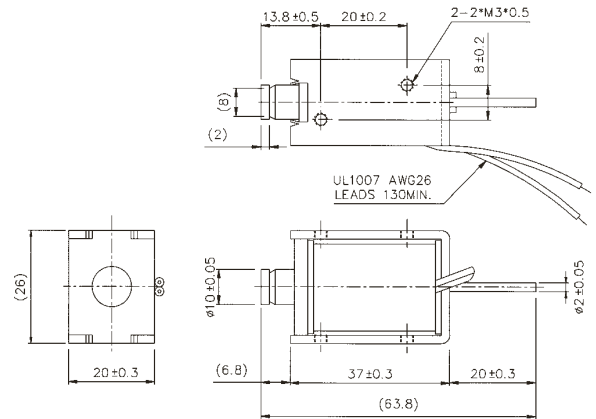
AMPERE-TURNS Vs FORCE



Ampere-Turns (AT)

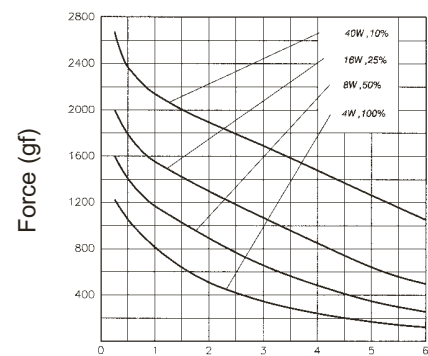
Maximum Duty Cycle (%)		Continuous	50%	25%	10%	
MAX. "on" time in seconds		∞	100	36	7	
Watts at 20°C		4	8	16	40	
Ampere-turns at 20°C		600	850	1200	1900	
Type no.	Resistance (20°C) Ω+10%	No. turns	Volts DC			
SDO-1037L06—	9	980	6	8.5	12	19
SDO-1037L12—	36	1700	12	17	24	38
SDO-1037L24—	144	3600	24	34	48	76
SDO-1037L48—	576	7300	48	68	96	152

# SDO-1037S



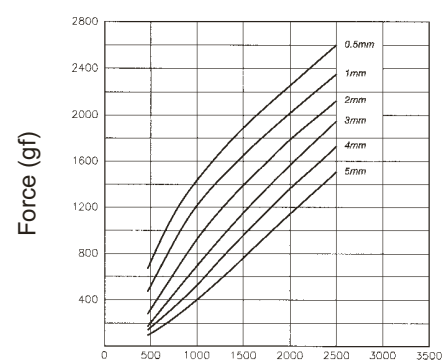
Solenoid Weight 96g – Plunger Weight 19g

STROKE Vs FORCE



Stroke (mm)

AMPERE-TURNS Vs FORCE



Ampere-Turns (AT)

Maximum Duty Cycle (%)		Continuous	50%	25%	10%	
MAX. "on" time in seconds		∞	100	36	7	
Watts at 20°C		4	8	16	40	
Ampere-turns at 20°C		600	850	1200	1900	
Type no.	Resistance (20°C) Ω+10%	No. turns	Volts DC			
SDO-1037S06—	9	980	6	8.5	12	19
SDO-1037S12—	36	1700	12	17	24	38
SDO-1037S24—	144	3600	24	34	48	76
SDO-1037S48—	576	7300	48	68	96	152