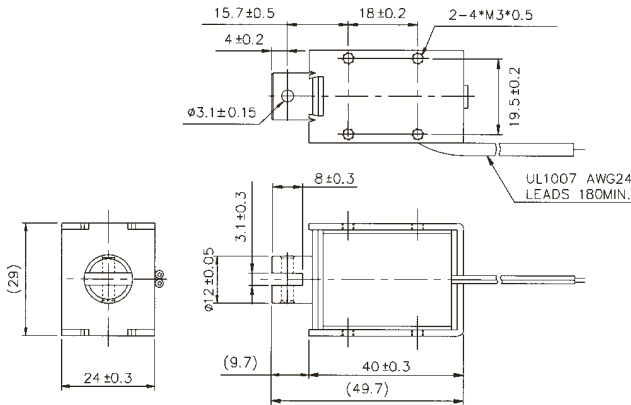
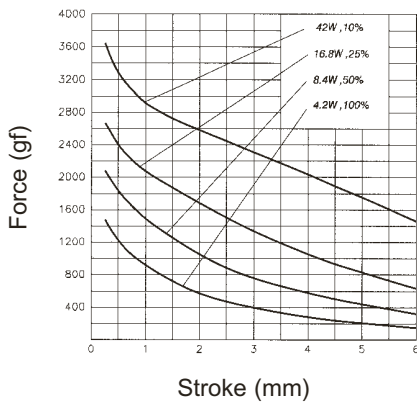


SDO-1240L

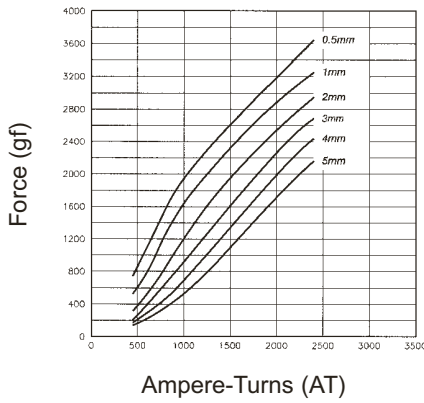


Solenoid Weight 147g – Plunger Weight 32g

STROKE Vs FORCE

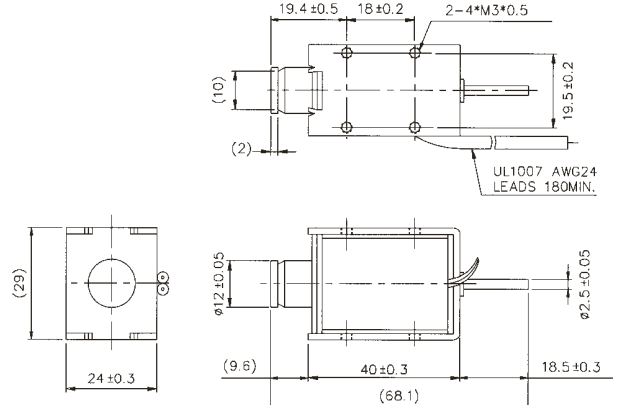


AMPERE-TURNS Vs FORCE



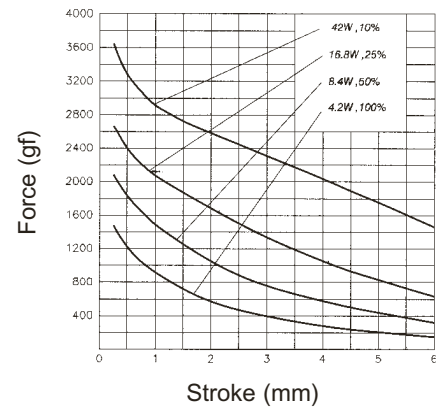
Maximum Duty Cycle (%)		Continuous	50%	25%	10%
MAX. "on" time in seconds		∞	100	36	7
Watts at 20°C		4.2	8.4	16.8	42
Ampere-turns at 20°C		655	925	1310	2075
Type no.	Resistance (20°C) Ω+10%	No. turns	Volts DC		
SDO-1240L06—	8.6	930	6	8.5	12 19
SDO-1240L12—	34	1850	12	17	24 38
SDO-1240L24—	137	3680	24	34	48 76
SDO-1240L48—	548	7590	48	68	96 152

SDO-1240S

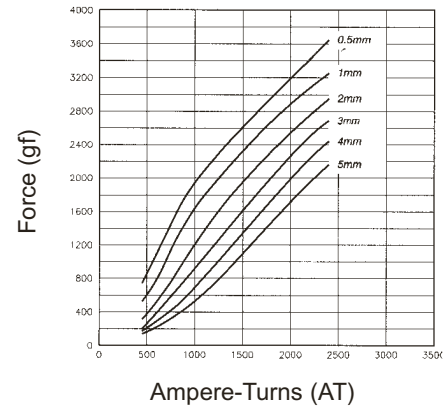


Solenoid Weight 147g – Plunger Weight 32g

STROKE Vs FORCE



AMPERE-TURNS Vs FORCE



Maximum Duty Cycle (%)		Continuous	50%	25%	10%
MAX. "on" time in seconds		∞	100	36	7
Watts at 20°C		4.2	8.4	16.8	42
Ampere-turns at 20°C		655	925	1310	2075
Type no.	Resistance (20°C) Ω+10%	No. turns	Volts DC		
SDO-1240S06—	8.6	930	6	8.5	12 19
SDO-1240S12—	34	1850	12	17	24 38
SDO-1240S24—	137	3680	24	34	48 76
SDO-1240S48—	548	7590	48	68	96 152