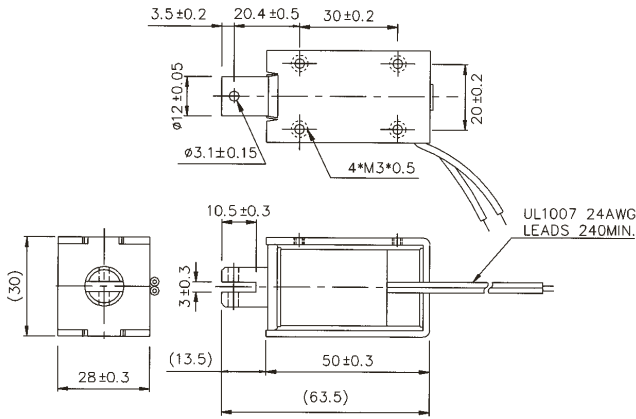
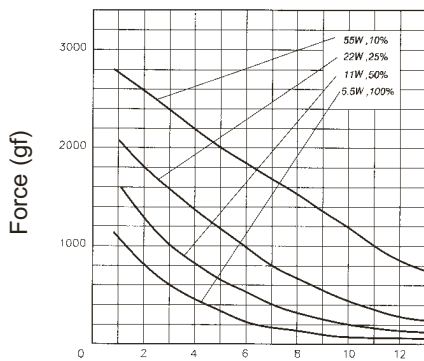


SDO-1250L



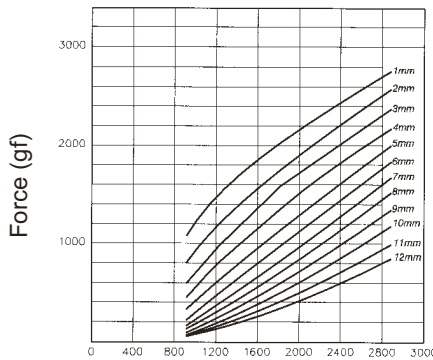
Solenoid Weight 208g – Plunger Weight 41g

STROKE Vs FORCE



Stroke (mm)

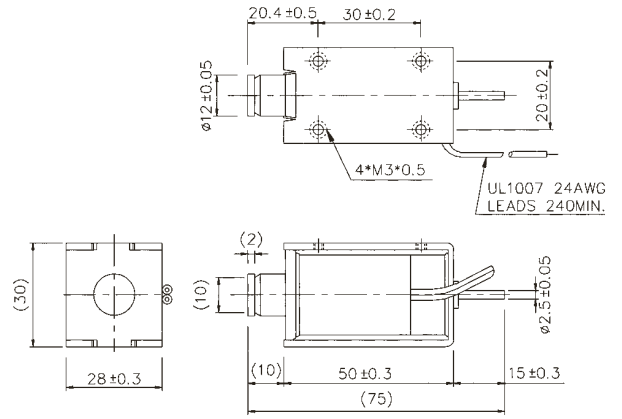
AMPERE-TURNS Vs FORCE



Ampere-Turns (AT)

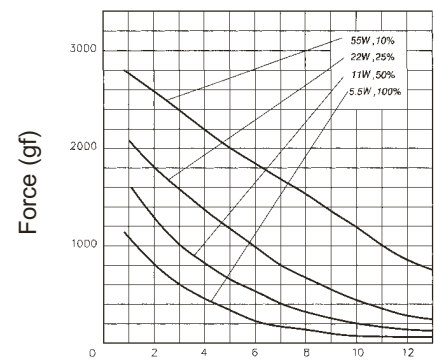
Maximum Duty Cycle (%)		Continuous	50%	25%	10%	
MAX. "on" time in seconds		∞	140	50	9	
Watts at 20°C		5.5	11	22	55	
Ampere-turns at 20°C		854	1210	1078	2704	
Type no.	Resistance (20°C) Ω+10%	No. turns	Volts DC			
SDO-1250L06—	6.5	925	6	8.5	12	19
SDO-1250L12—	26.2	1865	12	17	24	38
SDO-1250L24—	104.5	3736	24	34	48	76
SDO-1250L48—	419	7455	48	68	96	152

SDO-1250S



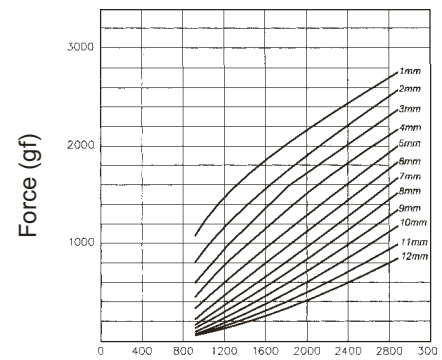
Solenoid Weight 208g – Plunger Weight 41g

STROKE Vs FORCE



Stroke (mm)

AMPERE-TURNS Vs FORCE



Ampere-Turns (AT)

Maximum Duty Cycle (%)		Continuous	50%	25%	10%	
MAX. "on" time in seconds		∞	140	50	9	
Watts at 20°C		5.5	11	22	55	
Ampere-turns at 20°C		854	1210	1078	2704	
Type no.	Resistance (20°C) Ω+10%	No. turns	Volts DC			
SDO-1250S06—	6.5	925	6	8.5	12	19
SDO-1250S12—	26.2	1865	12	17	24	38
SDO-1250S24—	104.5	3736	24	34	48	76
SDO-1250S48—	419	7455	48	68	96	152