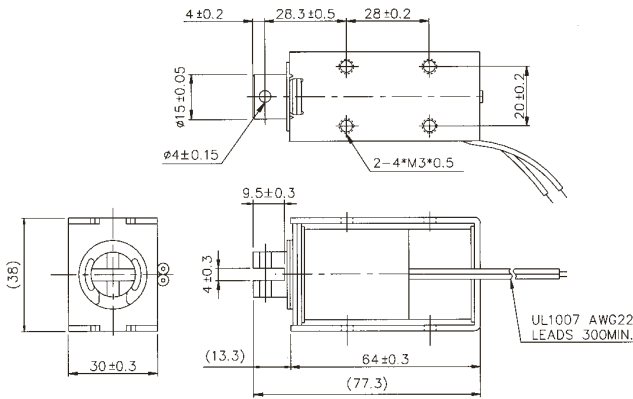
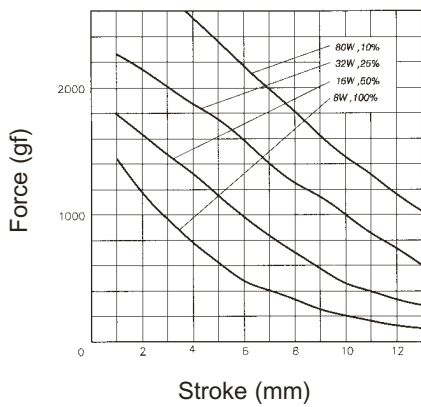


# SDO-1564L

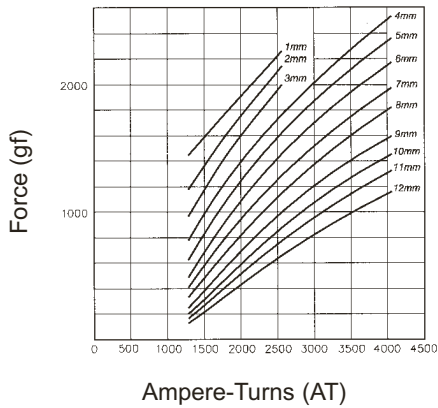


Solenoid Weight 363g – Plunger Weight 71g

## STROKE Vs FORCE

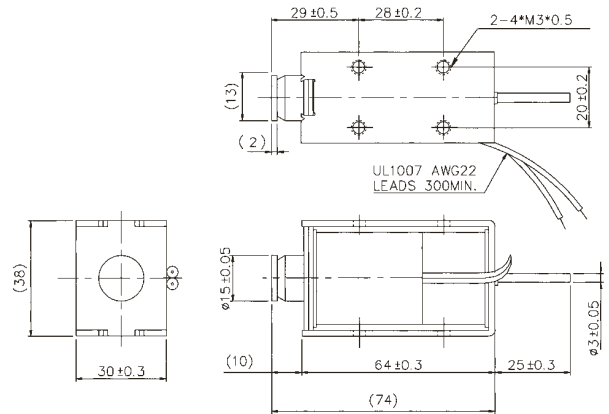


## AMPERE-TURNS Vs FORCE



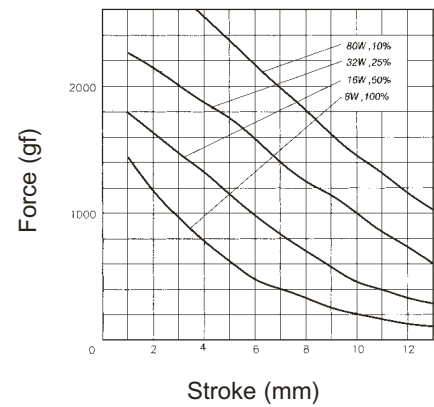
Maximum Duty Cycle (%)		Continuous	50%	25%	10%	
MAX. "on" time in seconds		∞	140	50	9	
Watts at 20°C		8	16	32	80	
Ampere-turns at 20°C		1240	1750	2480	3958	
Type no.	Resistance (20°C) Ω+10%	No. turns	Volts DC			
SDO-1564L06—	4.5	950	6	8.5	12	19
SDO-1564L12—	18	1900	12	17	24	38
SDO-1564L24—	72	3750	24	34	48	76
SDO-1564L48—	288	7440	48	68	96	152

# SDO-1564S

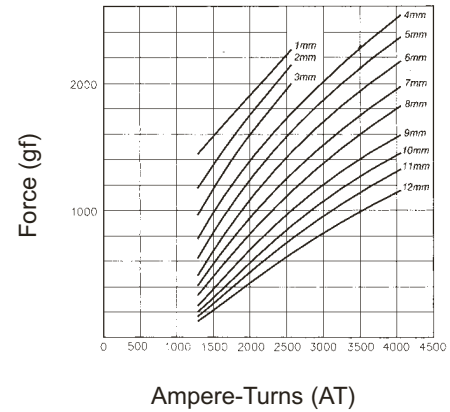


Solenoid Weight 363g – Plunger Weight 71g

## STROKE Vs FORCE



## AMPERE-TURNS Vs FORCE



Maximum Duty Cycle (%)		Continuous	50%	25%	10%	
MAX. "on" time in seconds		∞	140	50	9	
Watts at 20°C		8	16	32	80	
Ampere-turns at 20°C		1240	1750	2480	3958	
Type no.	Resistance (20°C) Ω+10%	No. turns	Volts DC			
SDO-1564S06—	4.5	950	6	8.5	12	19
SDO-1564S12—	18	1900	12	17	24	38
SDO-1564S24—	72	3750	24	34	48	76
SDO-1564S48—	288	7440	48	68	96	152