

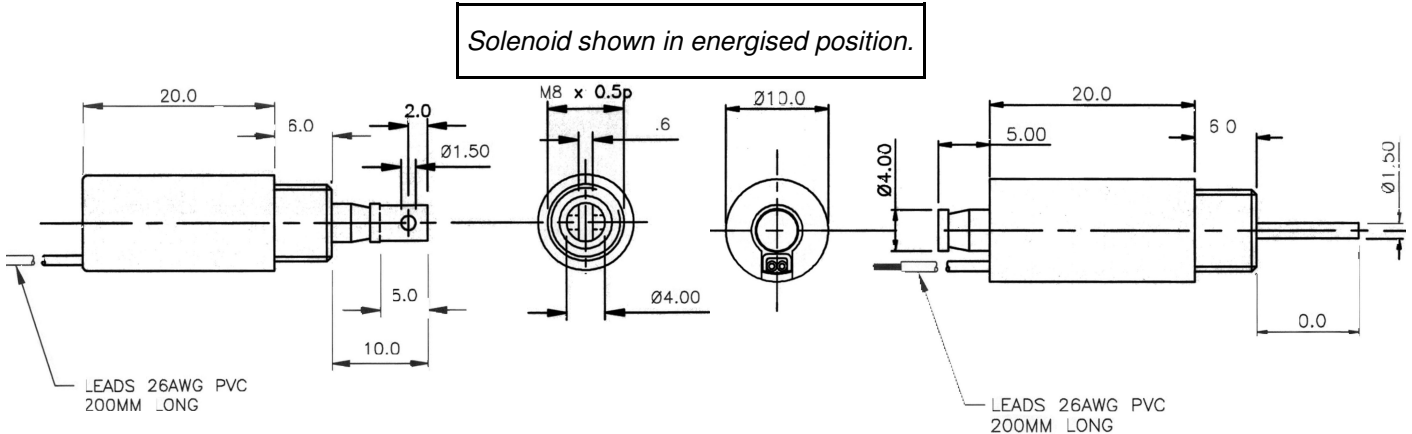
Push or Pull Linear

General Specifications:

- **Dielectric Strength:** 1000 VRMS;
- **Recommended Heat Sink:** Maximum watts dissipated by the solenoid are based on an unrestricted flow of air at 20° C mounted on the equivalent of an aluminium plate 51x51x3.2mm min.
- **Coil Resistance:** +/- 5% tolerance
- **Holding Force:** 300 g @ 20° C
- **Weight:** 13 g Pull / 14 g Push.
- **Plunger Weight:** 3 g Pull / 3 g Push.

Part Number: Pull SDT1020L-2XX
Push SDT1020S-2XX

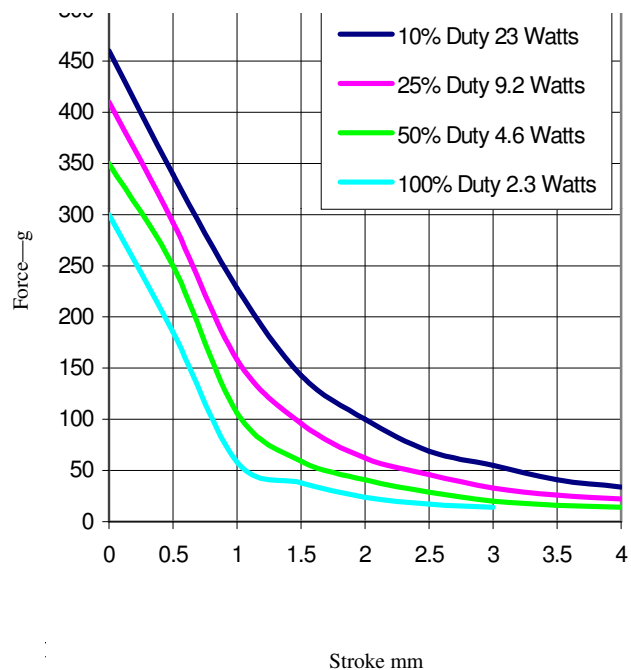
Solenoid shown in energised position.



| Coil Specifications | | | | | | |
|-----------------------------------------------------------------|---------------------|----------------------|--------------------|-----|----|----|
| Maximum Duty Cycle | 100% | 50% | 25% | 10% | | |
| Maximum ON Time (seconds) When pulsed continuously ¹ | ∞ | 30 | 3 | 1 | | |
| Maximum ON Time (seconds) for single pulse ² | ∞ | 90 | 9 | 3 | | |
| Watts (@20° C) | 2.3 | 4.6 | 9.2 | 23 | | |
| Ampere Turns (@ 20° C) | 262 | 373 | 526 | 833 | | |
| Coil Data | | | | | | |
| avg. (2xx) ³ | Resistance (@ 20°C) | # Turns ⁴ | Nominal DC Voltage | | | |
| 35 | 15.6 | 680 | 6 | 8.5 | 12 | 19 |
| 38 | 62.6 | 1372 | 12 | 17 | 24 | 38 |
| 41 | 250.4 | 2732 | 24 | 34 | 48 | 76 |
| Other ratings available on request | | | | | | |

Performance

Typical Starting Force @ 20°C



How to Order:

Add the coil awg number to the part number, alternatively please specify:

- Voltage
- Duty cycle.
- Starting Force
- Stroke required.
- Any special requirements.

Notes:

1. Continuously pulsed at stated watts and duty cycle.
2. Single pulsed at stated watts (with coil at ambient room temperature 20° C).
3. Other coil gauges available, consult factory.
4. Reference number of turns.
5. Anti rotational mounting bushes available on request.