

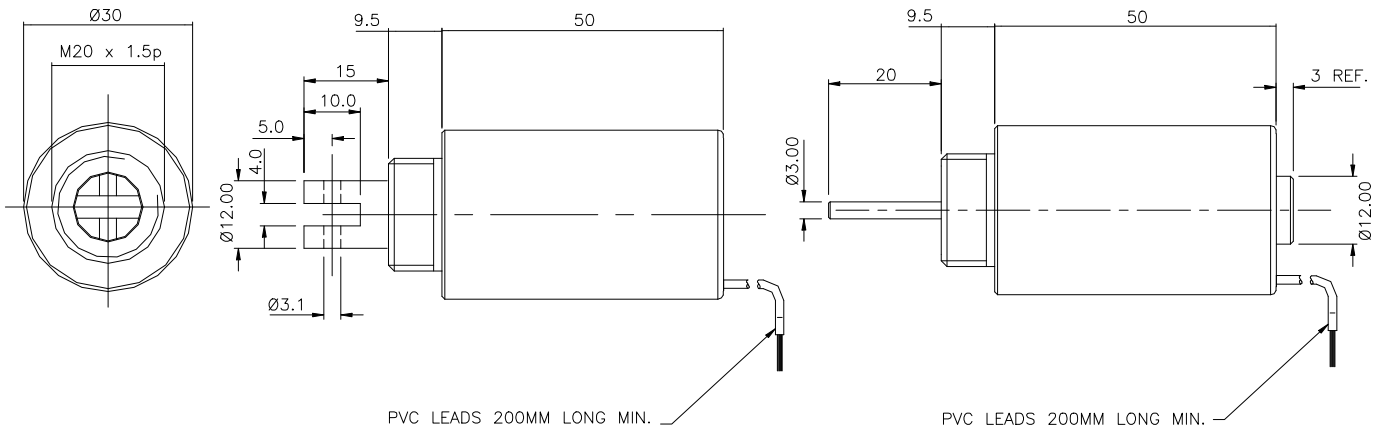
Push or Pull Linear

General Specifications:

- **Dielectric Strength:** 1000 VRMS;
- **Recommended Heat Sink:** Maximum watts dissipated by the solenoid are based on an unrestricted flow of air at 20° C mounted on the equivalent of an aluminium plate 102x102x3.2mm min.
- **Coil Resistance:** +/- 5% tolerance
- **Holding Force:** 56.6 N @ 20° C
- **Weight:** 230 g Pull / 223 g Push.
- **Plunger Weight:** 50 g Pull / 38 g Push.

Part Number: Pull SDT3050L-2XX
Push SDT3050S-2XX

Solenoid shown in energised position.



Coil Specifications

Maximum Duty Cycle	100%	50%	25%	10%
Maximum ON Time (seconds) When pulsed continuously ¹	∞	370	45	12
Maximum ON Time (seconds) for single pulse ²	∞	480	135	38
Watts (@20° C)	12	24	48	120
Ampere Turns (@ 20° C)	1460	2070	2920	4600

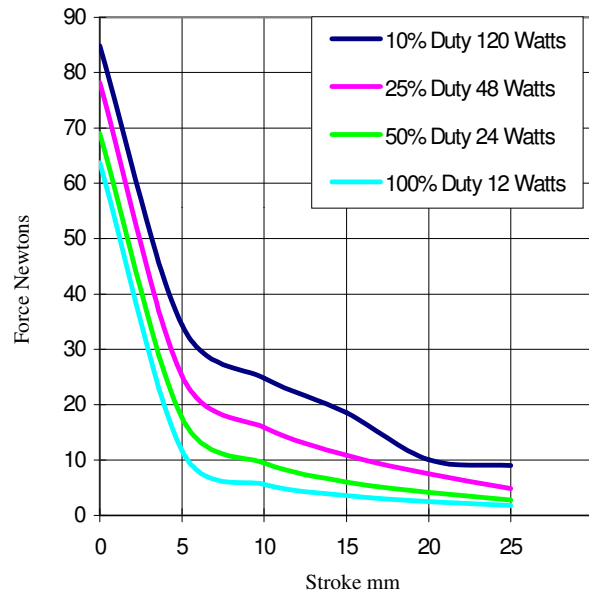
Coil Data

avg. (2xx) ³	Resistance (@ 20°C)	# Turns ⁴	Nominal DC Voltage			
23	3	745	6	8.5	12	19
26	12	1443	12	17	24	38
29	48	2927	24	34	48	76

Other ratings available on request

Performance

Typical Starting Force @ 20°C



How to Order:

Add the coil awg number to the part number, alternatively please specify:

- Voltage
- Duty cycle.
- Starting Force
- Stroke required.
- Any special requirements.

Notes:

1. Continuously pulsed at stated watts and duty cycle.
2. Single pulsed at stated watts (with coil at ambient room temperature 20° C).
3. Other coil gauges available, consult factory.
4. Reference number of turns.
5. Anti rotational mounting bushes available on request.