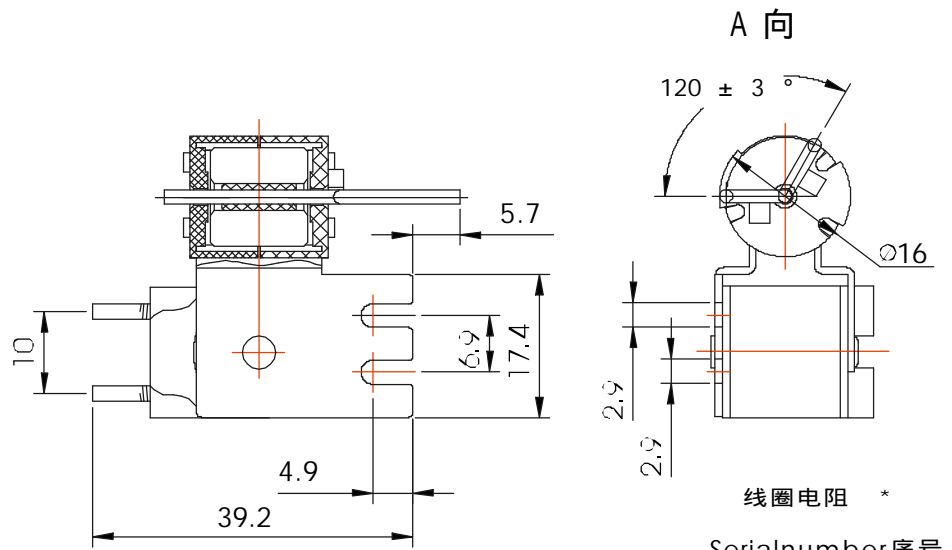
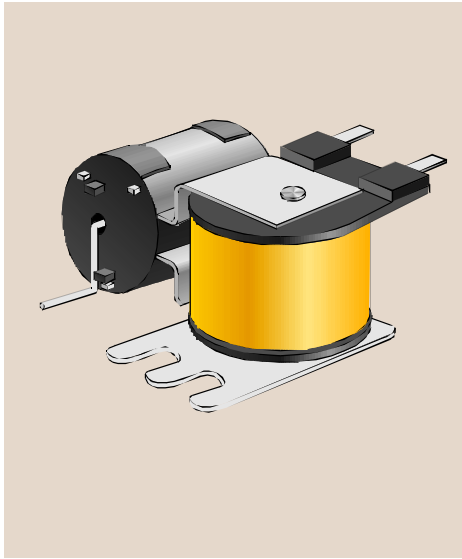


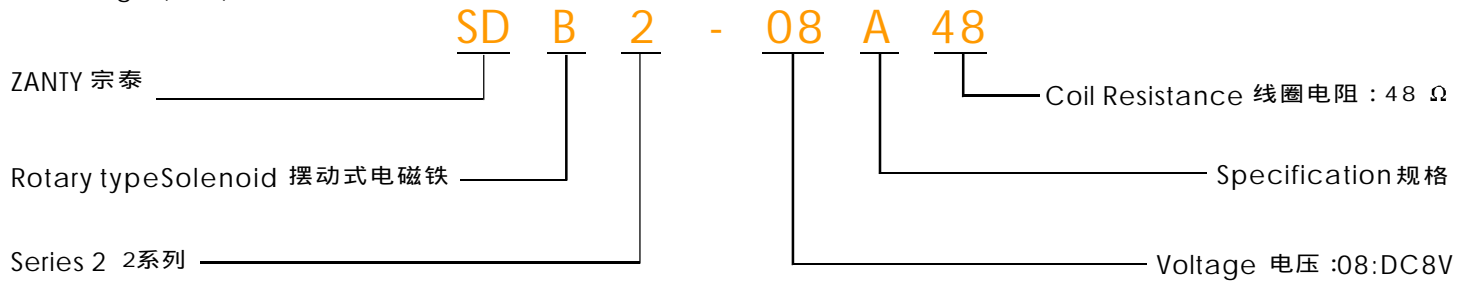
ROTARY TYPE SOLENOID SDB2



Tubedia(mm) 圆筒直径(mm)

Tubelength(mm) 圆筒长度(mm)

ORDERING INFORMATION 代号编排



This solenoid is used for component of coin-phone. When polarity of power supply is changed, the rocker will move to another position.
The torque of rocker: when voltage is DC 3V, the torque is 40gf X r

动作周期 (100%) ON时间/ON时间+OFF时间 Dutycycle(100%) "ON" time/"ON" time+"OFF" time		100%	50%	25%	10%
		连通 continuous	间断 intermittent		
最大ON时间 (秒) MAX "ON" Time in second		-	55	19	3
20°C 时的功率 watt at 20°C		2.4	4.8	9.6	24
型号 TYPE Number	电阻 resistance Ω	电压 volts DC			
SDB2-06A	15	6	8.5	12	19
SDB2-12A	60	12	17	24	38
SDB2-24A	240	24	34	48	76
SDB2-48A	960	48	68	96	152



Shenzhen Zanty Electronics Co., Ltd.

Add.: Building A2,B2,C2, Jihua Industry District, Shenzhen, China. P.C.: 518112
Tel.: (+86-755) 2854 3752, 28542115 Fax: (+86-755) 28543458
E-mail: zanty@public.szptt.net.cn Website: www.zanty.com