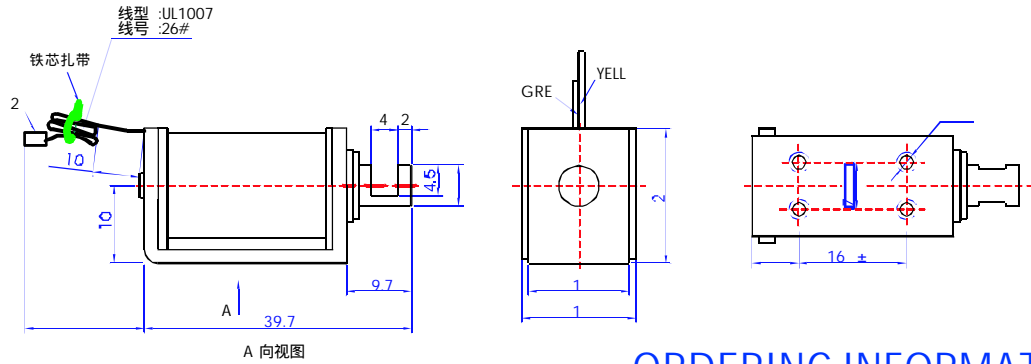
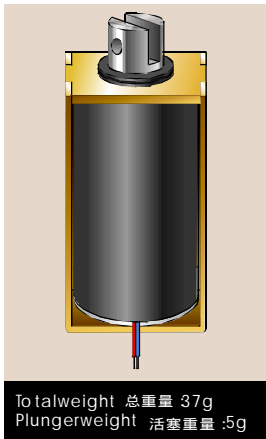
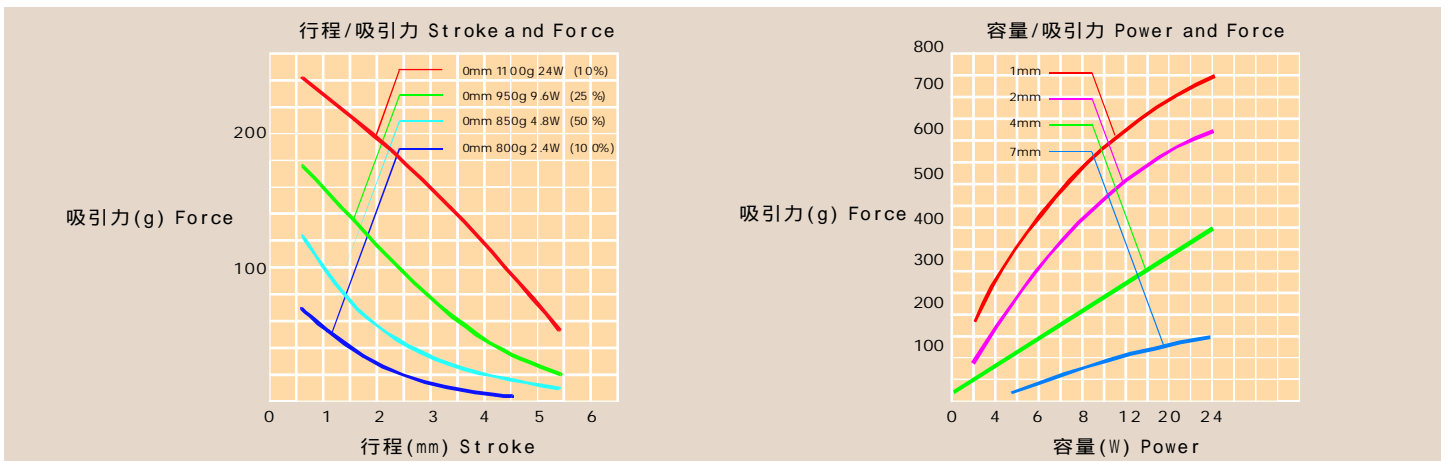


SDC-0630L OPEN FRAME SOLENOID



ORDERING INFORMATION 代号编排

SD ZANTY 宗泰
C-06 Open Frame Solenoid 开置式螺线管
30 Plunger dia(mm) 滑杆直径(mm)
L Frame length(mm) 框架长度(mm)
***** Coil Resistance 线圈电阻 : * Ω
***** Serial number 序号
***** Voltage 电压 :06:DC6V 12:DC12V 24:DC24V 48:DC48V
L: PullType 吸入式 **S**: Push Type 推出式



动作周期 (100%) ON时间/ON时间+OFF时间 Dutycycle(100%) "ON" time/"ON" time+"OFF" time		100%	50%	25%	10%
		连通 continuous	间断 intermittent		
最大ON时间 (秒) MAX "ON" Time in second		-	55	19	3
20°C 时的功率 watt at 20°C		2.4	4.8	9.6	24
型号 TYPE Number	电阻 resistance Ω	电压 volts DC			
SDC-0630L-06A	15	6	8.5	12	19
SDC-0630L-12A	60	12	17	24	38
SDC-0630L-24A	240	24	34	48	76
SDC-0630L-48A	960	48	68	96	152



Shenzhen Zanty Electronics Co., Ltd.

Add.: Building A2,B2,C2,Jihua Industry District, Shenzhen, China. P.C.:518112
 Tel.:(+86-755)2854 3752,28542115 Fax:(+86-755) 28543458
 E-mail: zanty@public.szptt.net.cn Website: www.zanty.com