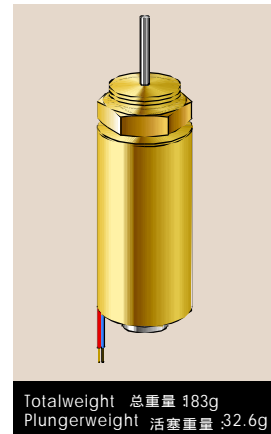
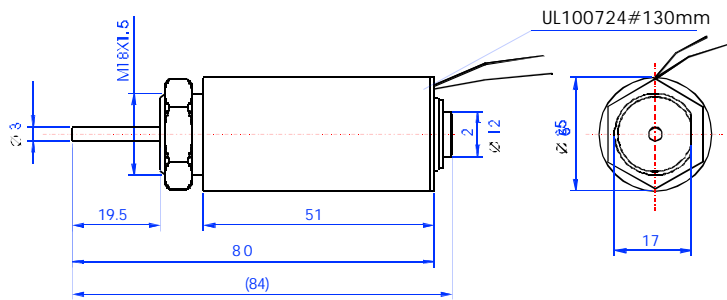


# TUBULAR SOLENOID SDT-2551S

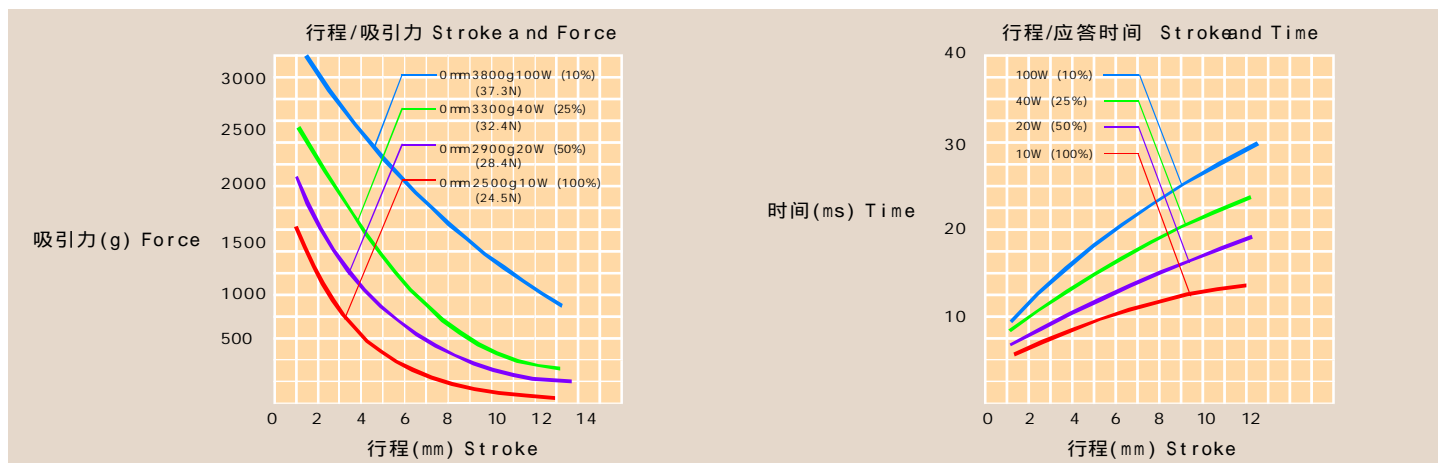


## ORDERING INFORMATION

代号编排

SD T -25 51 S- \* \* \*

ZANTY 宗泰  
 Tubular Solenoid 筒状电磁铁  
 Tube dia(mm) 圆筒直径(mm)  
 Tube length(mm) 圆筒长度(mm)  
 Coil Resistance 线圈电阻 : \* Ω  
 SerialNumber 序号  
 Voltage 电压 :06:DC6V 12:DC12V 24:DC24V 48:DC48V  
 L:PullType 吸入式 S:Push Type 推出式



动作周期 (100%) ON时间/ON时间+OFF时间 Duty cycle(100%) "ON" time/"ON" time+"OFF" time		100%	50%	25%	10%
		连通 continuous	间断 intermittent		
最大ON时间 (秒) MAX "ON" Time in second		-	360	32	8
20°C 时的功率 watt at 20°C		10	10	40	100
型号 TYPE Number	电阻 resistance Ω	电压 volts DC			
SDT-2551S-06A	3.6	6	8.5	12	19
SDT-2551S-12A	14.4	12	17	24	37.9
SDT-2551S-24A	57.6	24	33.9	48	75.9
SDT-2551S-48A	230.4	48	67.9	96	151.8



Shenzhen Zanty Electronics Co., Ltd.  
 Add.: Building A2,B2,C2, Jihua Industry District, Shenzhen, China. P.C.: 518112  
 Tel.: (+86-755) 2854 3752, 28542115 Fax: (+86-755) 28543458  
 E-mail: zanty@public.szptt.net.cn Website: www.zanty.com