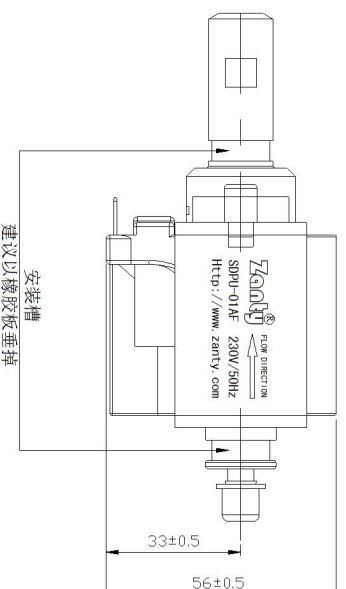
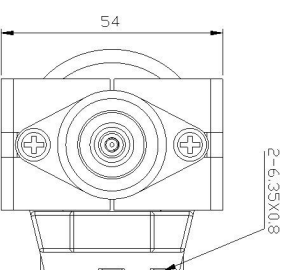
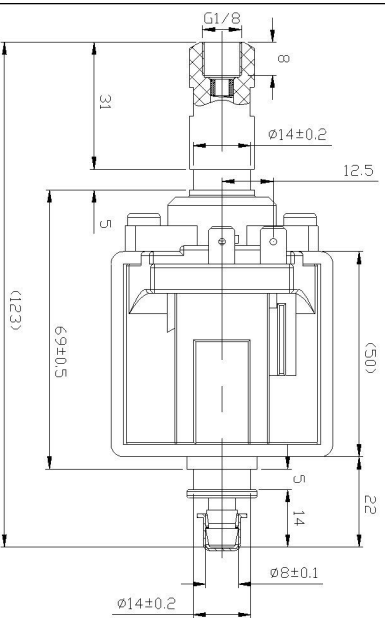
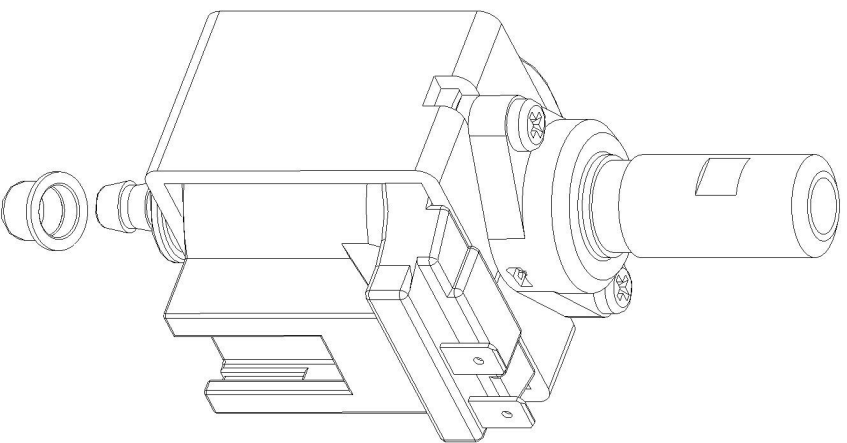
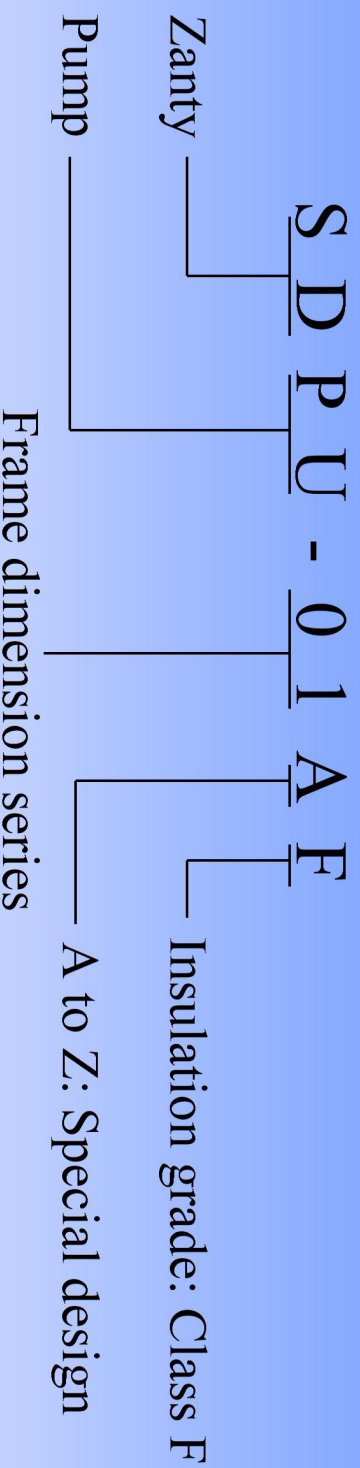


# SDPU-01AF

# OUTLINE DRAWING UNIT: mm



## ORDERING INFORMATION



## PERFORMANCE (at initial value)

Item	Type	SDPU-01
Insulation grade	Class F (155°C)	
Temperature rise	80°C max for coil by the resistance method at 20°C ambient, rated load condition	
Insulation resistance	500 VDC supplied, 100M ohms minimum between coil & frame.	
HI-pot test	2000VAC 50/60Hz for 1 second (leakage current 0.5mA) to frame	
Operating temperature range	0---55°C	
Lift expectancy	10000 cycles(Duty cycle: 60S ON/60S OFF)	
Net. weight	450 g	

## COIL SPECIFICATION (at 20 °C)

Coil Sensitivity	Duty Cycle (%)	Nominal Voltage (VAC)	Nominal Current (A)	Coil Resistance ( $\Omega$ ) $\pm$ 10( $\Omega$ )	Power Consumption (W)	Max. "ON" time (Sec.)	Max. Pressure (Bar)	Max. Flow Rate (cc/min)
SDPU-01AF	50	230	1.39	165	65	60	15	750
SDPU-01BF	50	120	2.22	54	54	60	2.5	700
SDPU-01CF	50	230	1.39	165	65	60	20	600
SDPU-01DF	50	230	1.39	165	65	60	20	600

## CHARACTERISTICS (Typical data at 20°C)

