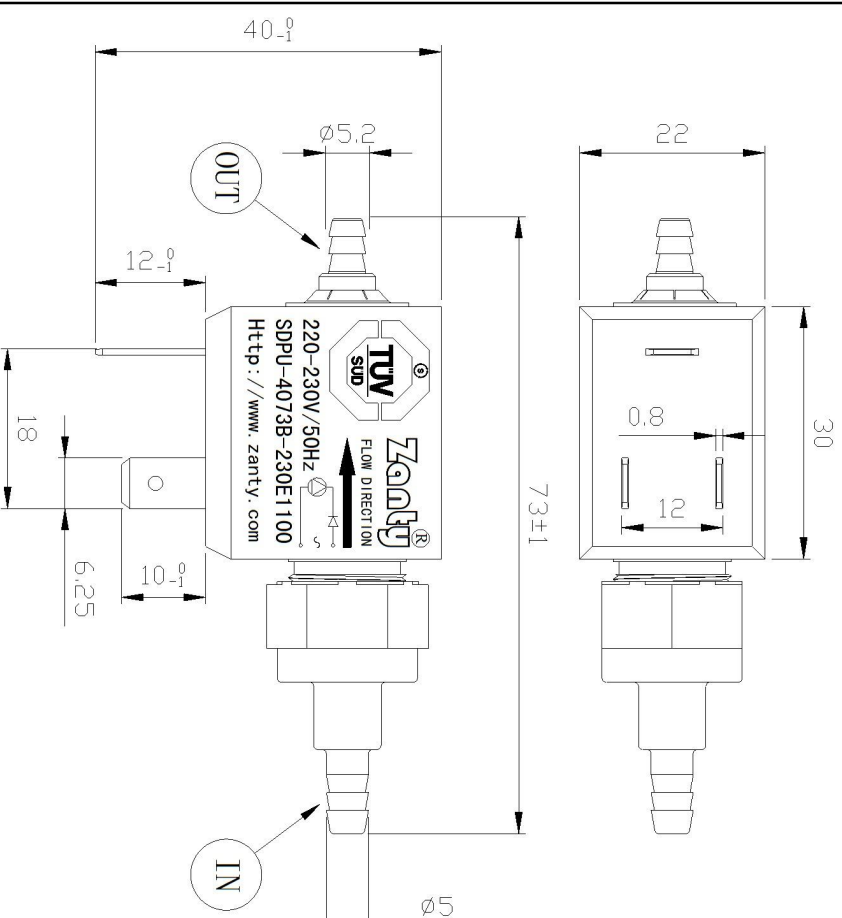
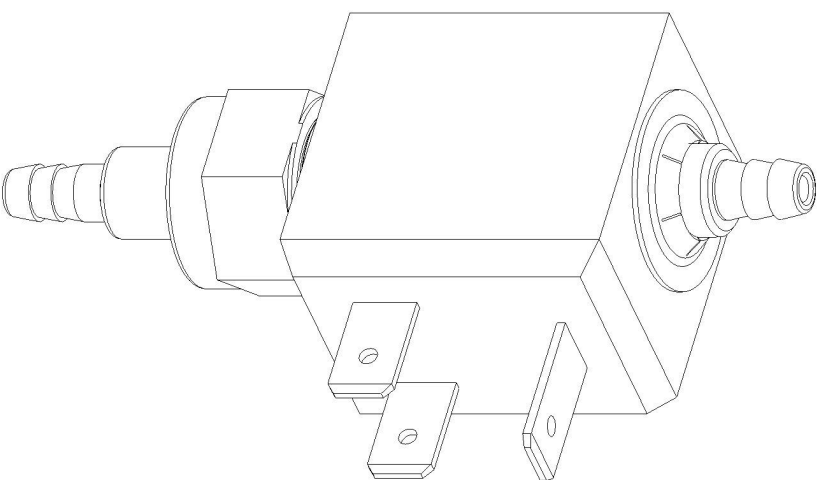
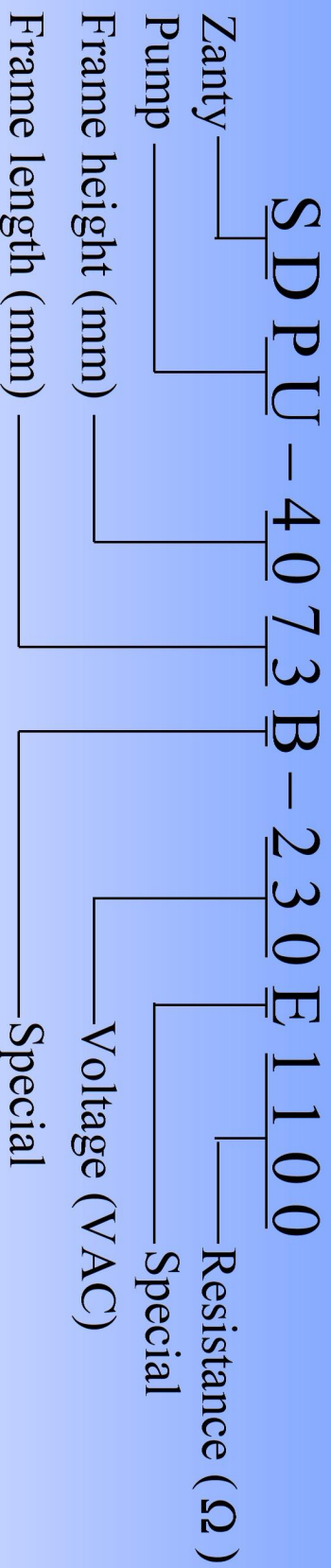


# SDPU-4073B-230E1100

## OUTLINE DRAWING UNIT: mm



### ORDERING INFORMATION



### PERFORMANCE (at initial value)

Insulation grade	Class H (180°C)
Temperature rise	100°C max for coil by the resistance method at 20°C ambient, rated load condition
Insulation resistance	500 VDC supplied, 100M ohms minimum between coil & frame.
HI-pot test	1500VAC 50/60Hz for 1 second (leakage current 0.5mA) to frame
Operating temperature range	0---80°C
Lift expectancy	600 work hours
Net. weight	80 g

### COIL SPECIFICATION (at 20 °C)

Coil Sensitivity	Duty Cycle (%)	Nominal voltage (VAC)	Nominal Current (A)	Coil Resistance ( $\Omega$ ) $\pm$ 10( $\Omega$ )	Power Consumption (W)	Max. "ON" time (Sec.)	Max. Pressure (Bar)	Max. Flow Rate (cc/min)
SDPU-4073A-24A15	100	24	1.6	15	12	$\infty$	1.2	230
SDPU-4073A-220A1100	100	220	0.2	1100	14	$\infty$	1.2	230
SDPU-4073B-220A1100	100	220	0.2	1100	14	$\infty$	3.2	160
SDPU-4073B-230E1100	100	220	0.21	1100	14	$\infty$	2.4	180

### CHARACTERISTICS (Typical data at 20°C)

